

Parts Manual

Front Access System Caterpillar 777D

Model: ADE005168



1	GENERAL INFORMATION.....	1
2	SAFETY	2
2.1	SAFETY SIGNS & LABELS.....	2
3	MECHANICAL	4
3.1	BILL OF MATERIALS	4
3.2	LOWER STAIR, CYLINDER & HANDRAILS	6
3.3	UPPER STAIR & HANDRAILS	11
3.4	STAIR CONTROL CONSOLE – CAB.....	13
3.5	CAB CONTROL & RELAY	15
4	APPENDIX.....	19
4.1	ELECTRICAL SCHEMATIC	19
4.2	STAIR CONTROL SCHEMATIC	21

1 General Information

The Parts Manual is a compilation of replacement parts for the access system as fitted by Australian Diversified Engineering.

Refer to the Operation and Maintenance Manual Supplement for operation and maintenance procedures for the access system.

NOTE: Site modifications performed to the access system unless under consultation with Australian Diversified Engineering may not be contained within this manual.

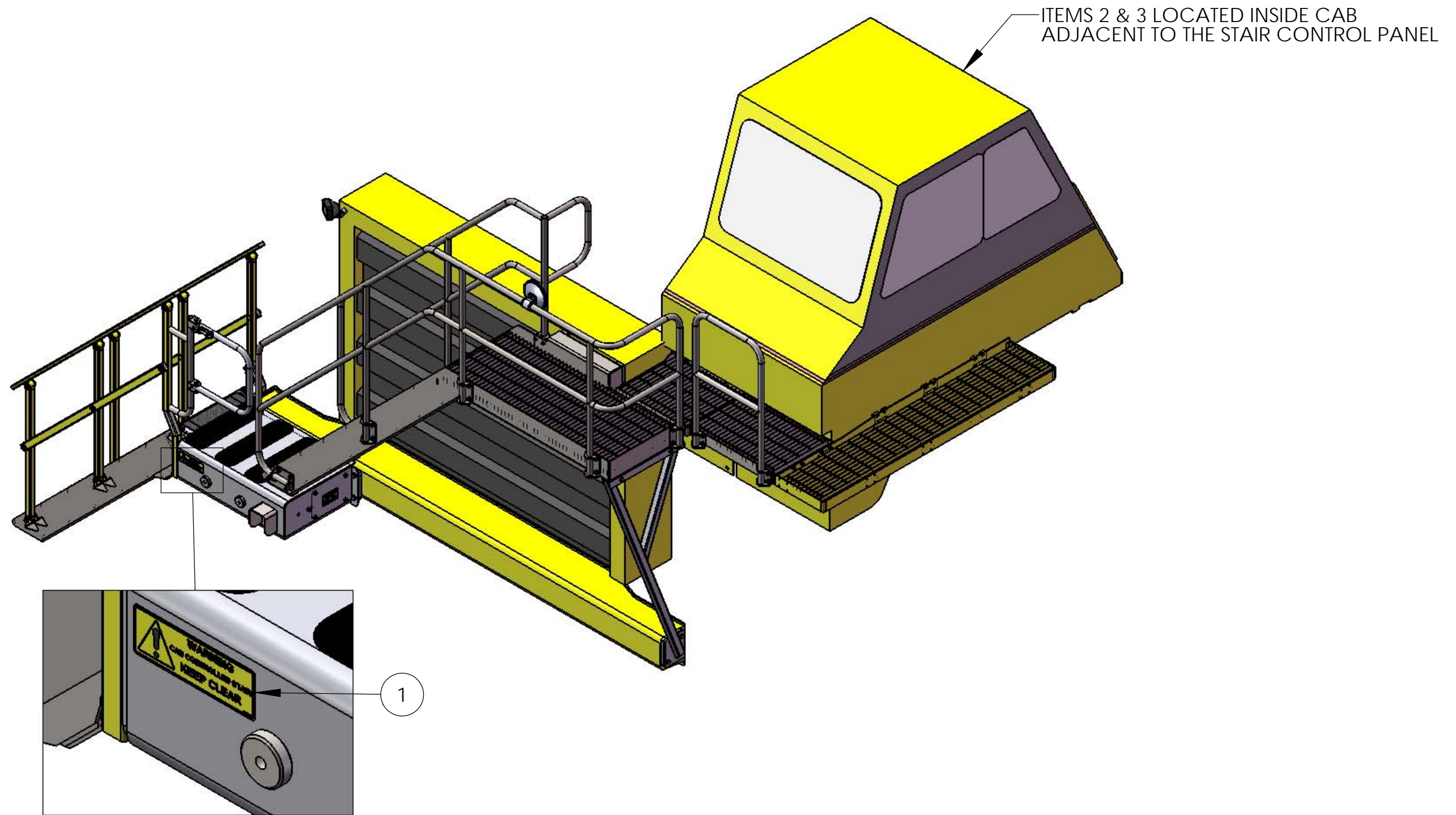
Consult Australian Diversified Engineering if replacement manuals are required.

2 Safety

2.1 Safety Signs & Labels

SAFETY SIGNS & LABELS

ITEM NO.	PART NUMBER	NAME	Default/QTY.
1	ADE002396	Label	1
2	ADE002398	Label	1
3	ADE004143	Label	1



3 Mechanical

3.1 Bill of Materials

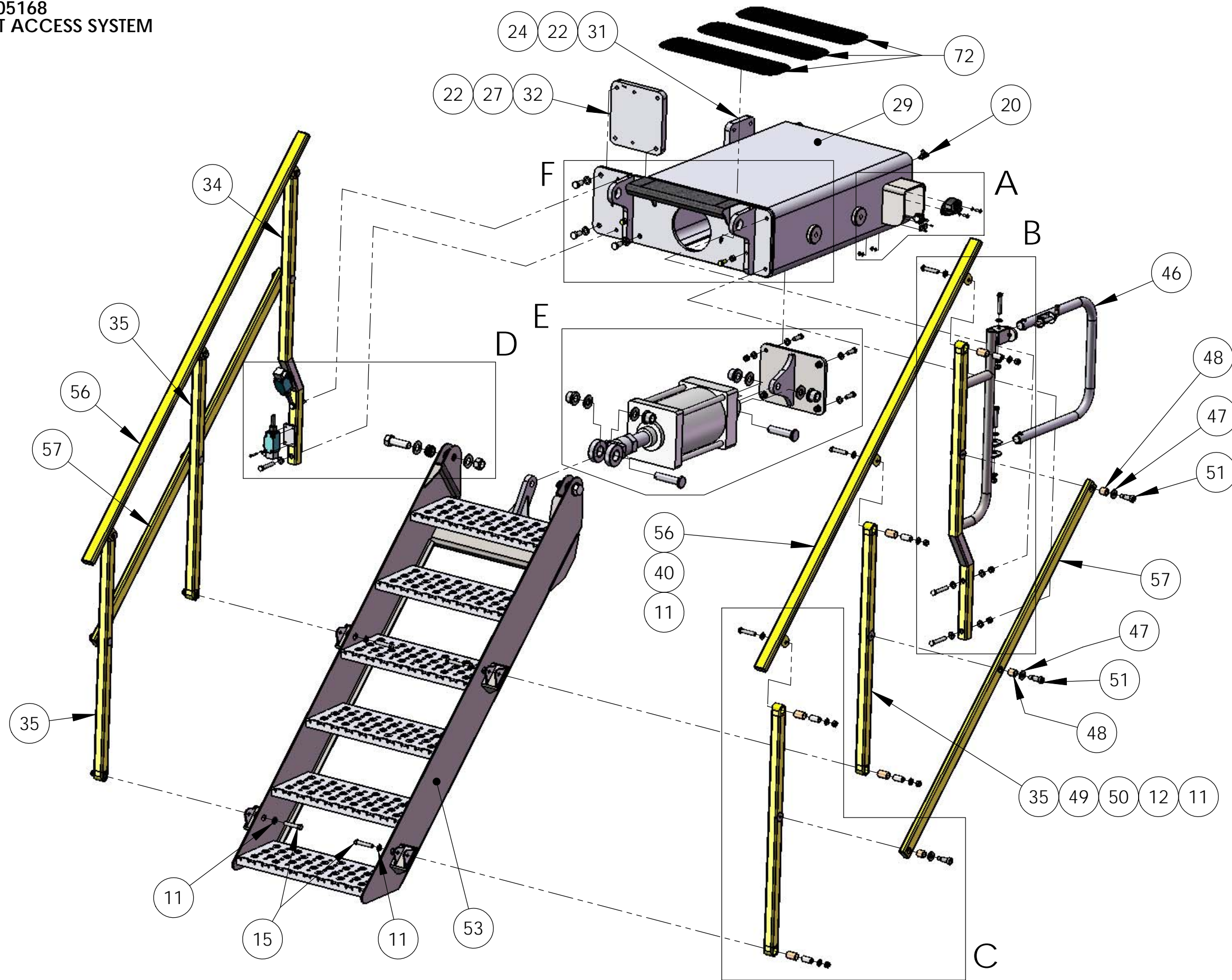
**ADE005168
FRONT ACCESS SYSTEM**

ITEM NO.	PART NUMBER	NAME	Default/QTY.
41	ADE003732	Bolt	8
42	ADE003966	Limit Switch	2
43	ADE004166	Bolt	2
44	ADE004306	Bolt	2
45	ADE004433	Stanchion Fixed RH	1
46	ADE004511	Gate	1
47	ADE004644	Washer	6
48	ADE004672	Bush	6
49	ADE004673	Bush	10
50	ADE004674	Spacer	10
51	ADE004675	Shoulder Bolt	6
52	ADE004771	Bolt	4
53	ADE005171	Stair Lower Access	1
54	ADE005181	Stair Upper Access	1
55	ADE005205	Infill Deck	1
56	ADE005223	Handrail Top Rail	2
57	ADE005225	Handrail Mid Rail	2
58	ADE005227	Upper Handrail Inner	1
59	ADE005233	Upper Handrail Outer	1
60	ADE005237	Mount Stair Upper	1
61	ADE005243	Handrail Upper Outer	1
62	ADE005249	Plate	2
63	ADE005250	Plate	1
64	ADE005258	Light 3" Flood 24v	1
66	ADE005695	Label	1
67	ADE000527	Drive Screw	6
70	ADE005818	Toggle Switch	1
71	ADE005759	ID Plate 777D Front Access System	1
72	150mm Wide Grip Tread Black	Grip Tread	3
73	ADE004907	Mirror	1
74	ADE005885	Clamp Half - Back	1
75	ADE005886	Clamp Half - Front	1
76	ADE005889	P Clamp Grommet	1

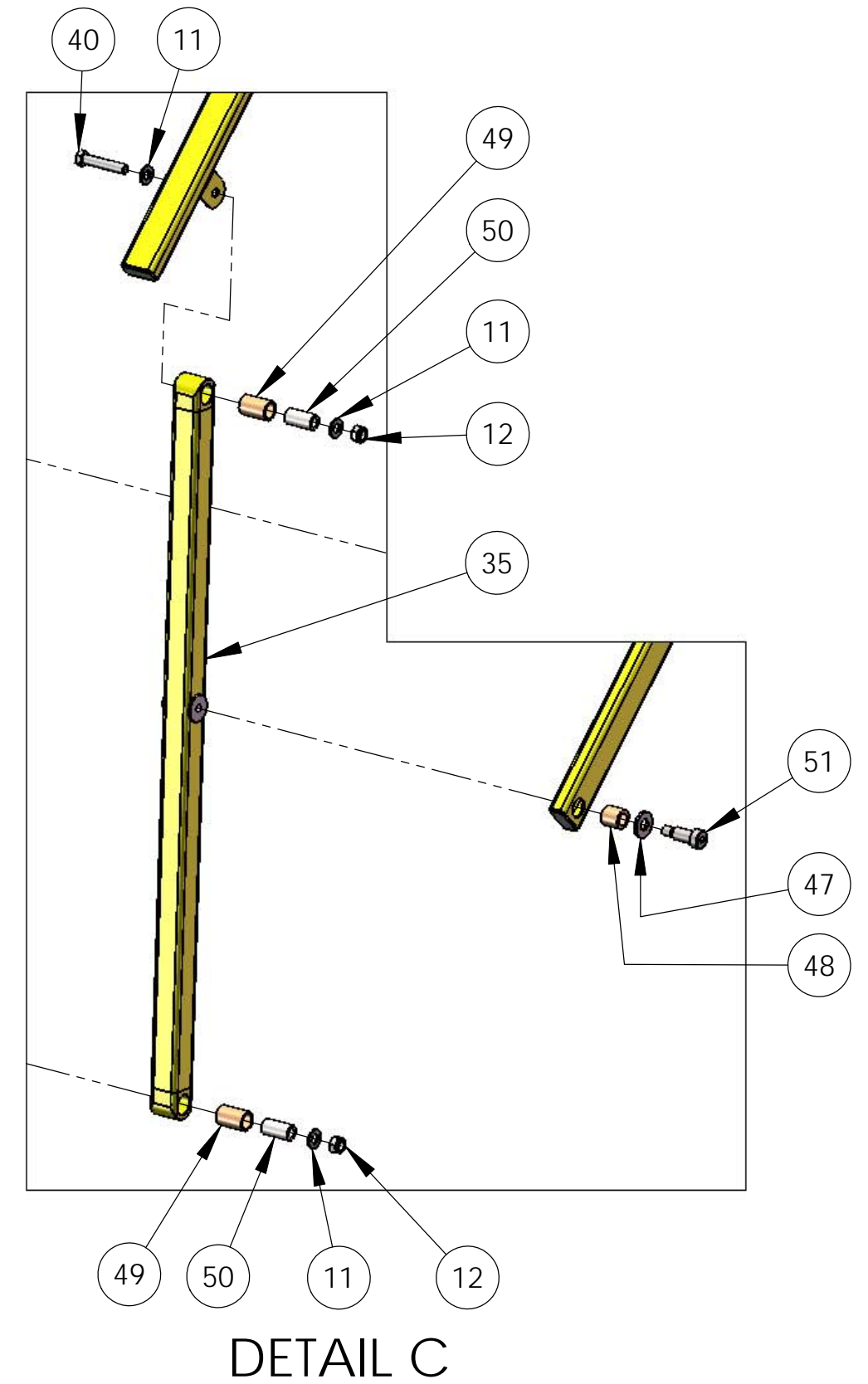
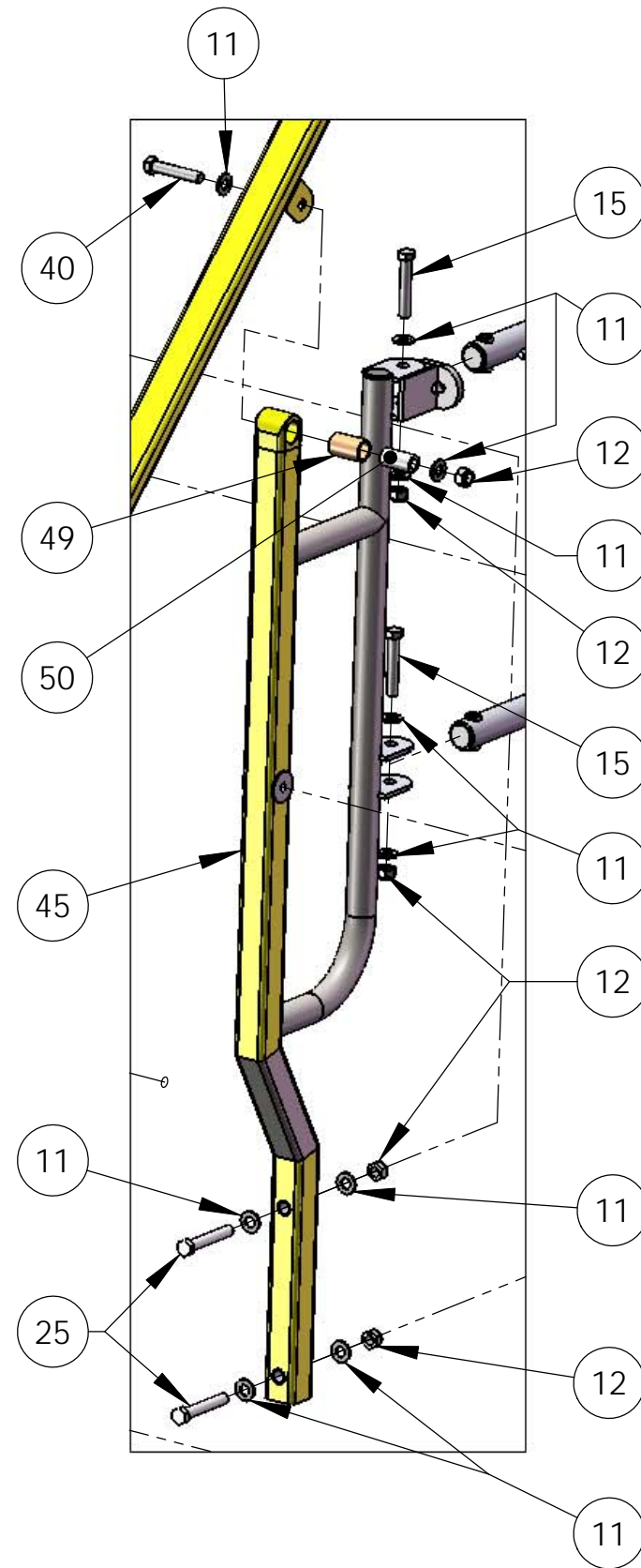
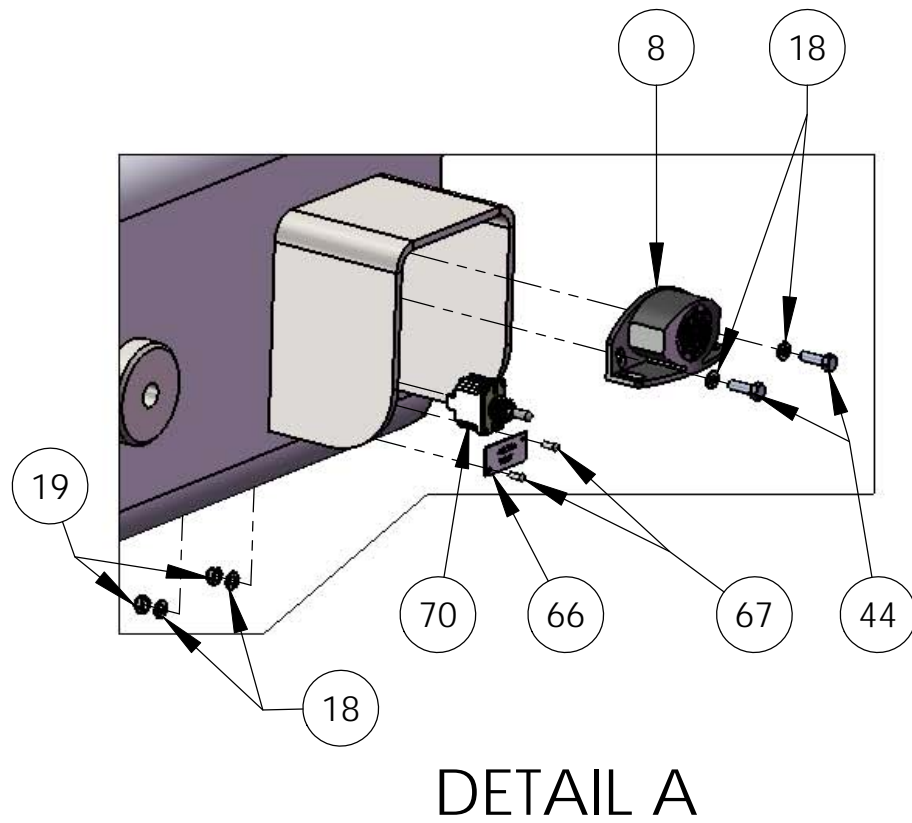
ITEM NO.	PART NUMBER	NAME	Default/QTY.
1	ADE000185	Bolt	8
2	ADE000372	Bolt	2
3	ADE000373	Nut	2
4	ADE000374	Washer	4
5	ADE000698	Nut	2
6	ADE000733	Bearing	2
7	ADE000898	Grease Nipple	2
8	ADE001320	Alarm Buzzer	1
9	ADE001334	Boss	1
10	ADE001366	Bolt	2
11	ADE001367	Washer	56
12	ADE001368	Nut	24
13	ADE001375	Bolt	2
14	ADE001377	Bolt	4
15	ADE001379	Bolt	6
16	ADE001380	Washer	100
17	ADE001381	Nut	44
18	ADE001386	Washer	4
19	ADE001387	Nut	2
20	ADE001390	Hyd Fitting	1
21	ADE001396	Bolt	8
22	ADE001428	Washer	8
23	ADE001429	Bolt	44
24	ADE001430	Bolt	4
25	ADE001613	Bolt	2
26	ADE001771	Washer	8
27	ADE002802	Bolt	4
28	ADE002820	Spacer	4
29	ADE002893	Platform Lower Access	1
30	ADE002932	Mount Plate	2
31	ADE002935	Mount Block	1
32	ADE002936	Mount Block	1
33	ADE002964	Bolt	2
34	ADE003006	Stanchion Fixed LH	1
35	ADE003028	Stanchion	4
36	ADE003653	Cylinder Mount	1
37	ADE003654	Steel Bush	4
38	ADE003655	Pin	2
39	ADE003672	Pnematic Cylinder	1
40	ADE003687	Bolt	6

3.2 Lower Stair, Cylinder & Handrails

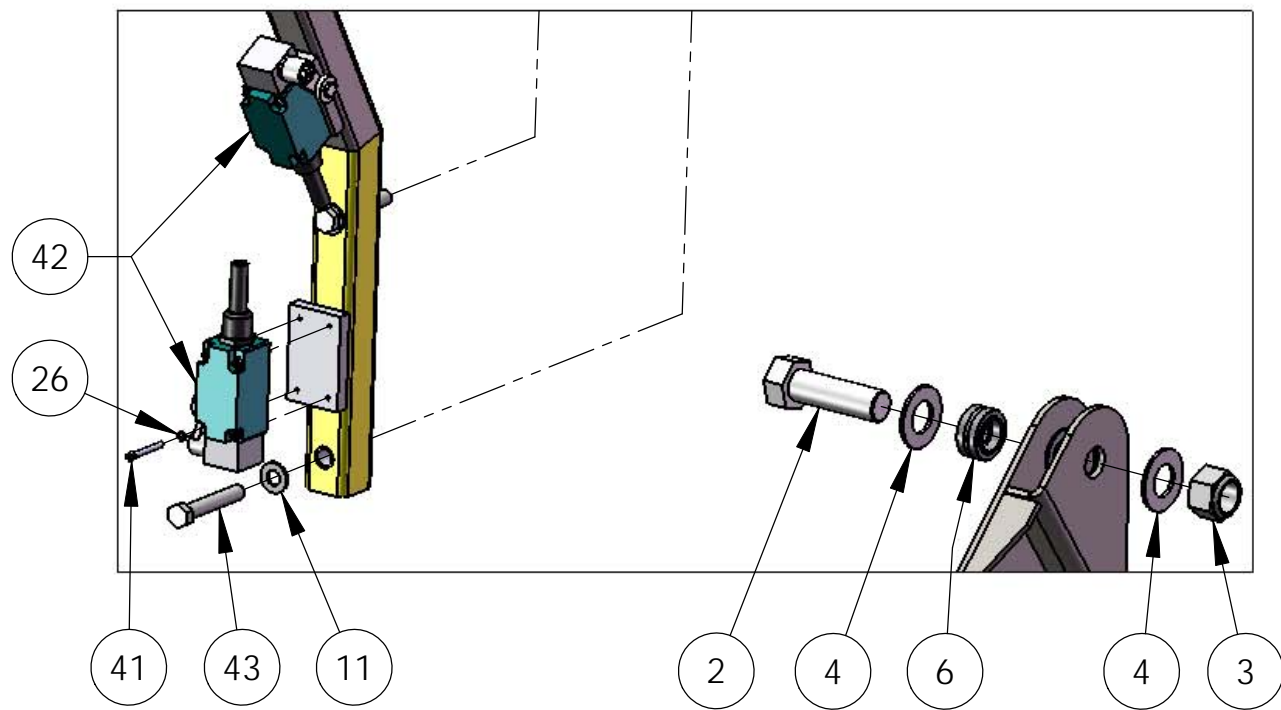
ADE005168
FRONT ACCESS SYSTEM



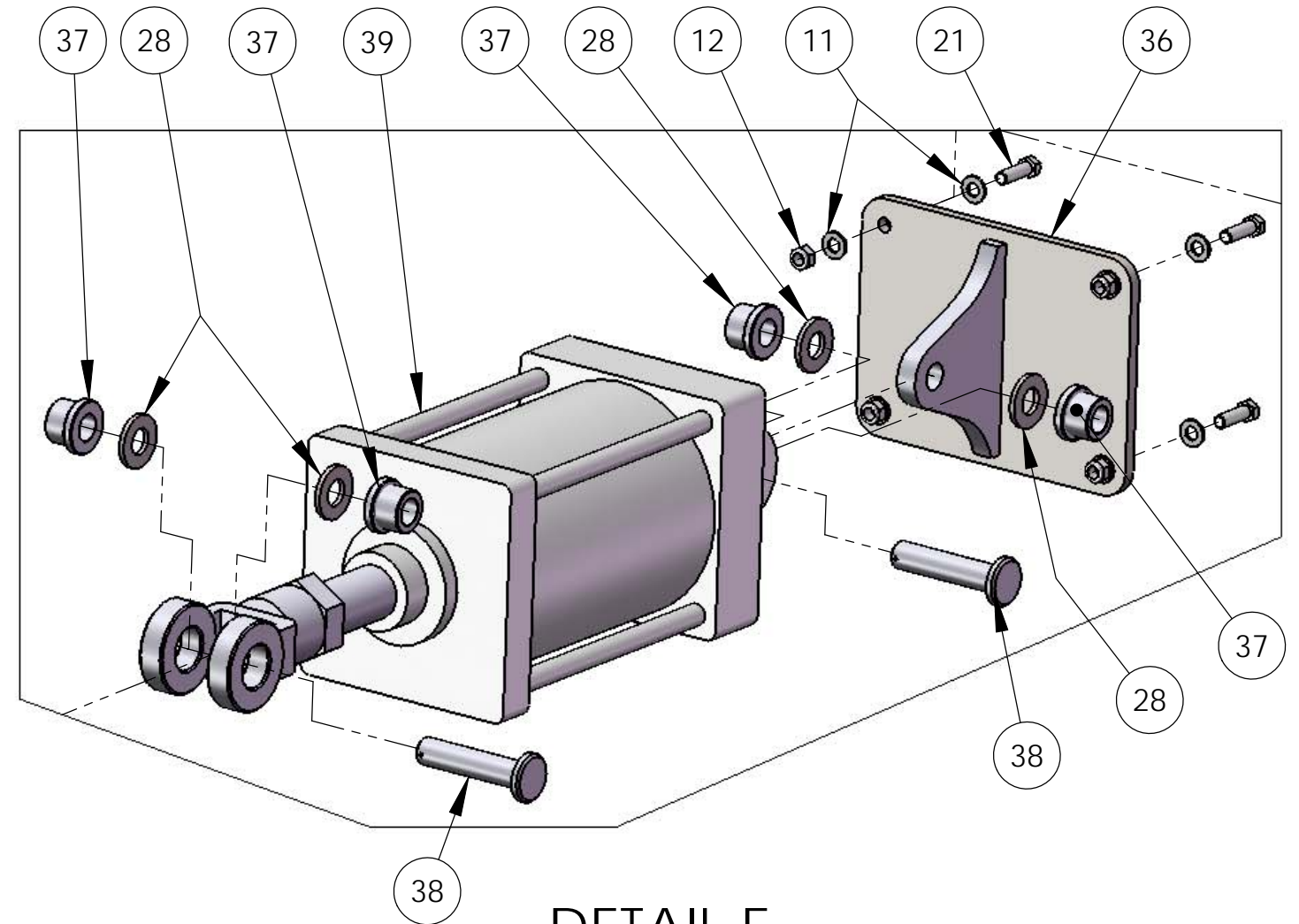
ADE005168
FRONT ACCESS SYSTEM



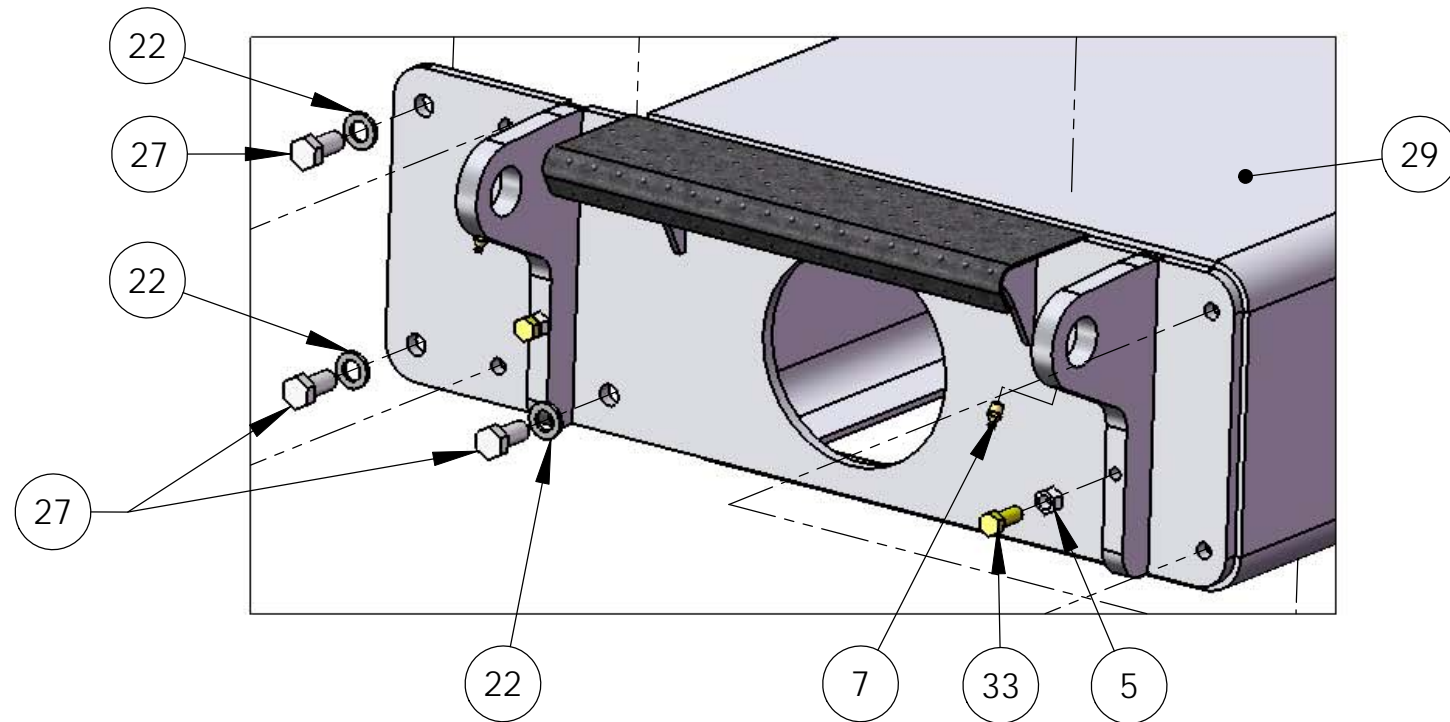
ADE005168
FRONT ACCESS SYSTEM



DETAIL D

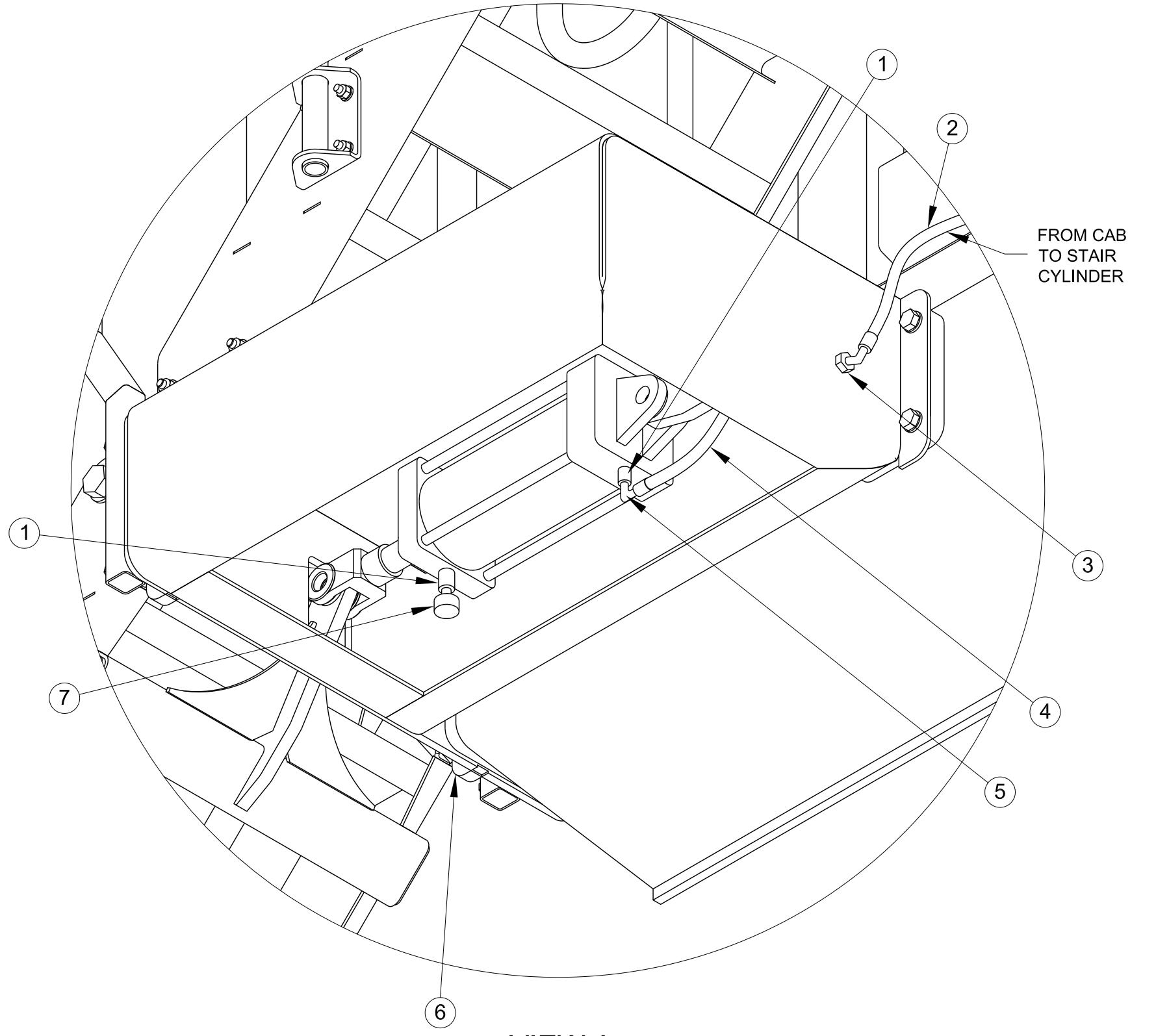
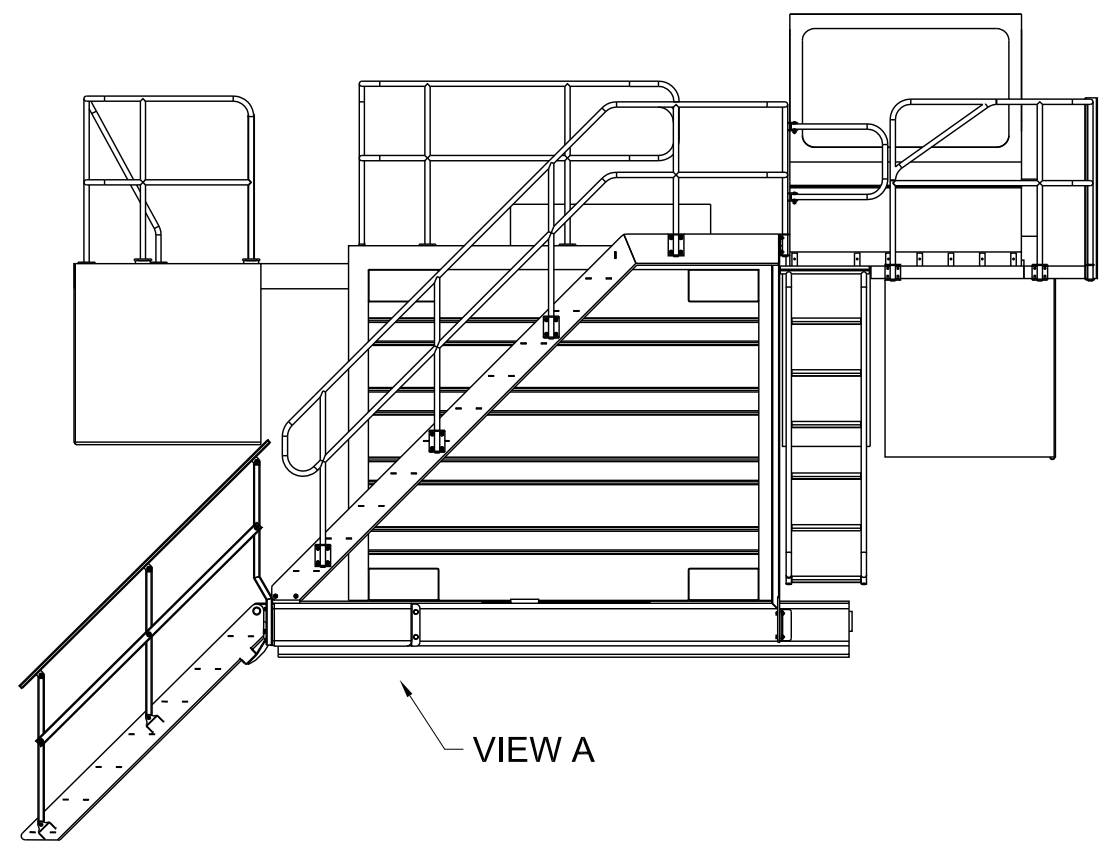


DETAIL E



DETAIL F

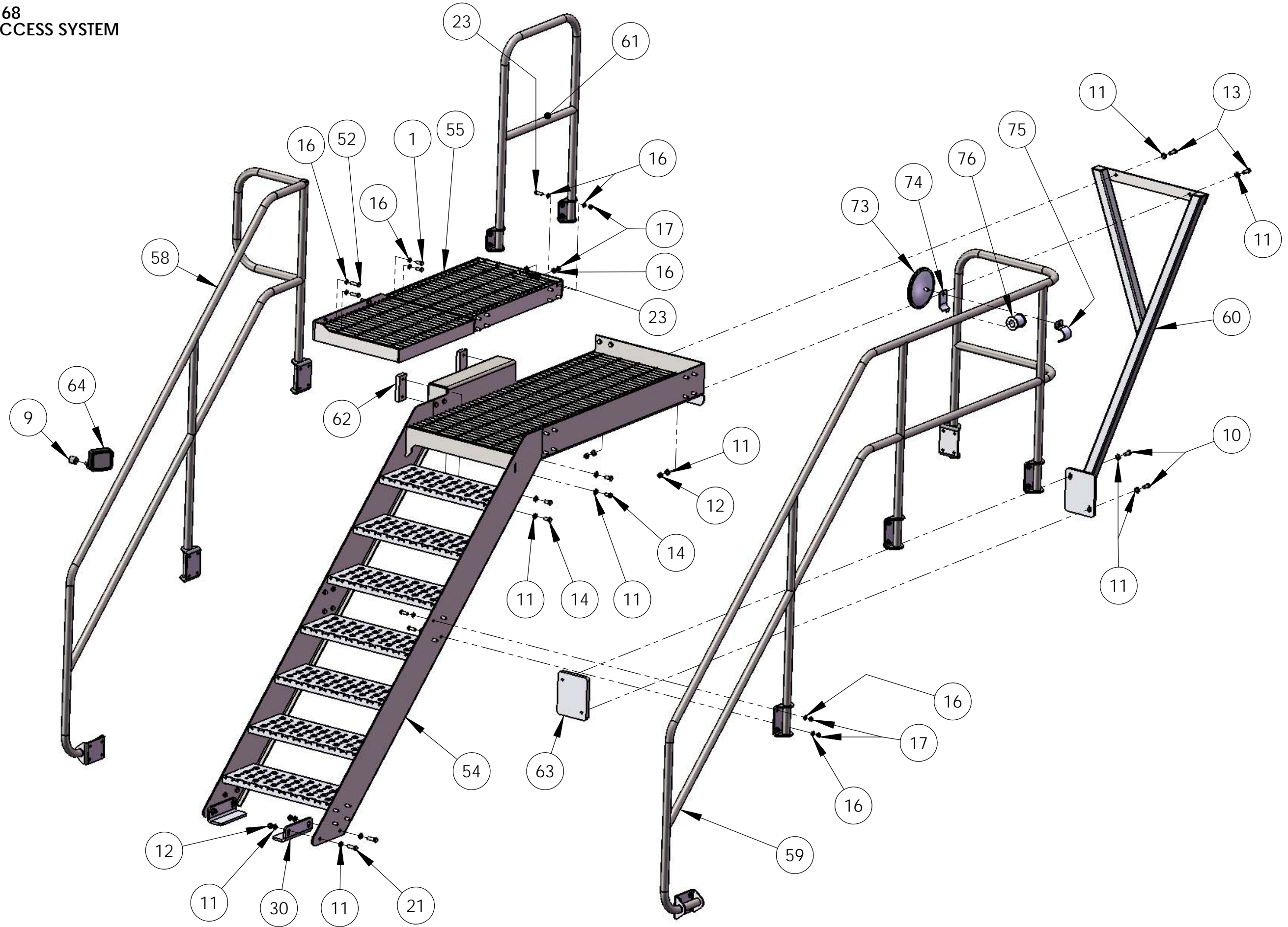
ITEM	DESCRIPTION	LENGTH	PART NO	QTY
1	Hyd Fitting Adaptor		ADE003538	2
2	Hose Assy		ADE003570	1
3	Hyd Fitting Adaptor		ADE001390	1
4	Hose Assy		ADE003539	1
5	Hyd Fitting Adaptor		ADE000756	1
6	Switch		ADE000762	1
7	Breather		ADE002442	1



AUSTRALIAN DIVERSIFIED ENGINEERING		STAIR CYLINDER FRONT ACCESS SYSTEM		PAGE 1 of 1
SITE UNIT No.: -		DRAWING: ADE003564	REF: -	

3.3 Upper Stair & Handrails

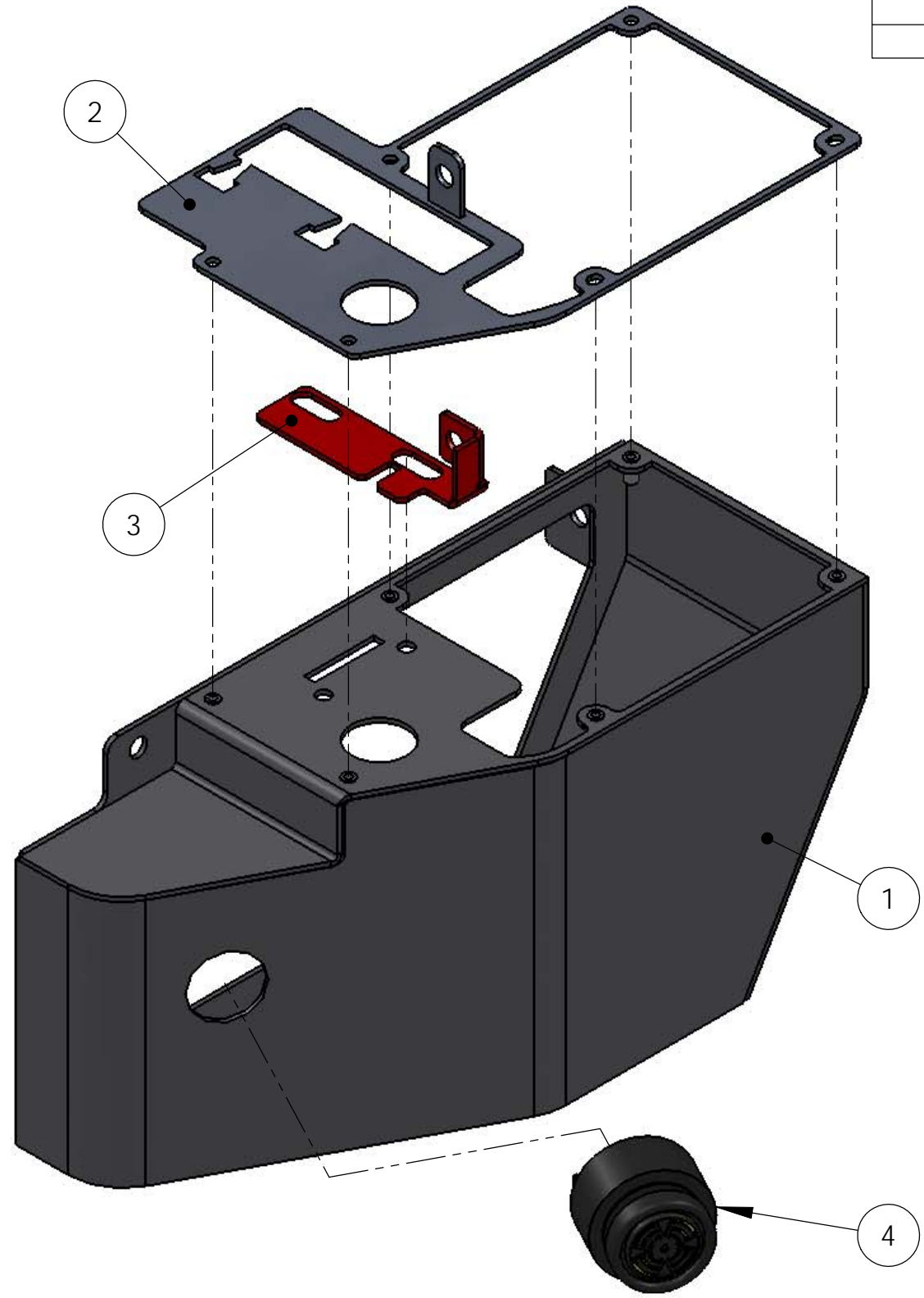
ADE005168
FRONT ACCESS SYSTEM



3.4 Stair Control Console – Cab

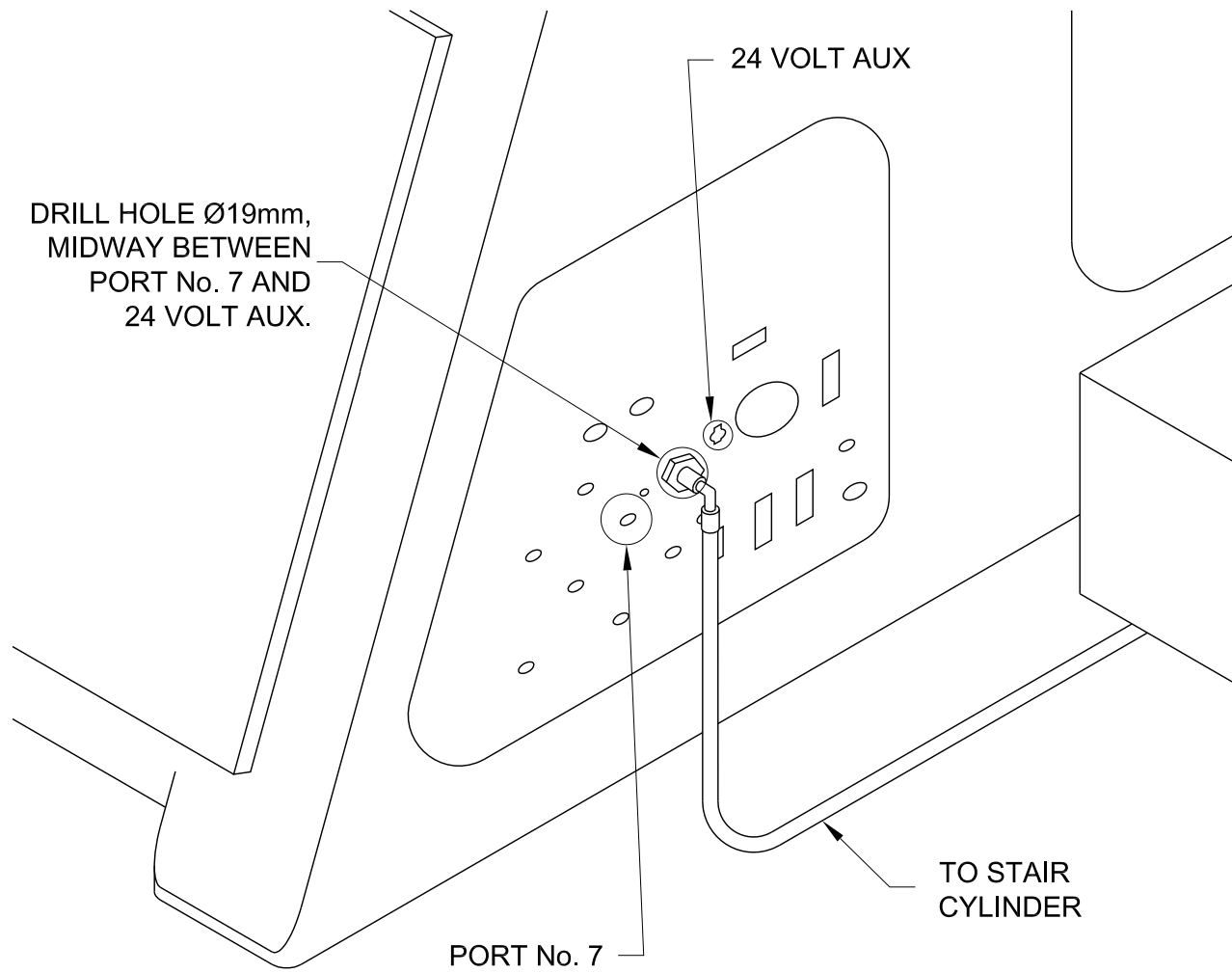
ADE005632
STAIR CONTROL CONSOLE - CAB

ITEM NO.	PART NUMBER	NAME	Exploded View/QTY.
1	ADE000142	Control Box	1
2	ADE000149	Stair Control Box - Spacer Plate	1
3	ADE000773	Locking Plate	1
4	ADE001319	Control Panel Buzzer	1

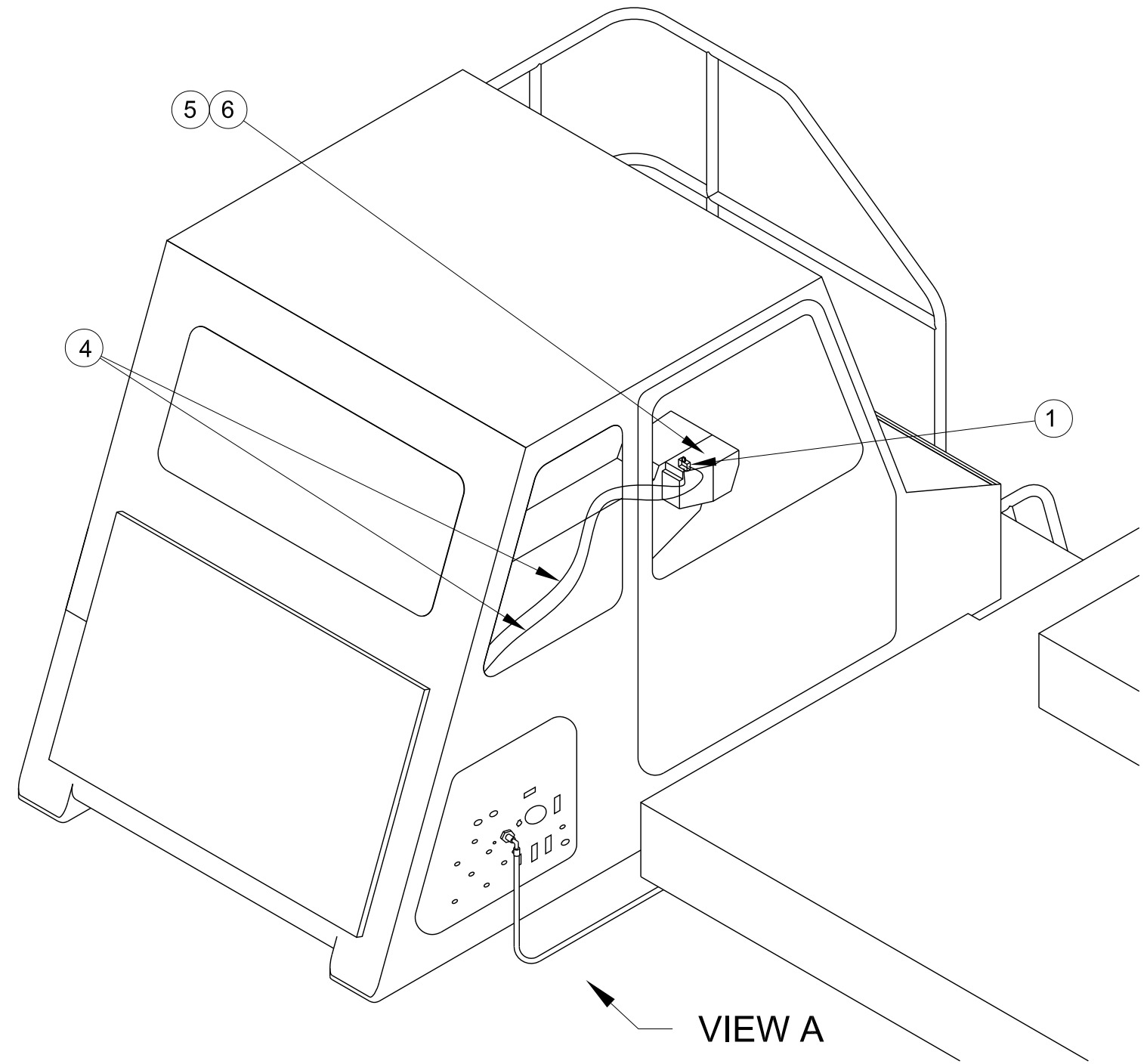


3.5 Cab Control & Relay

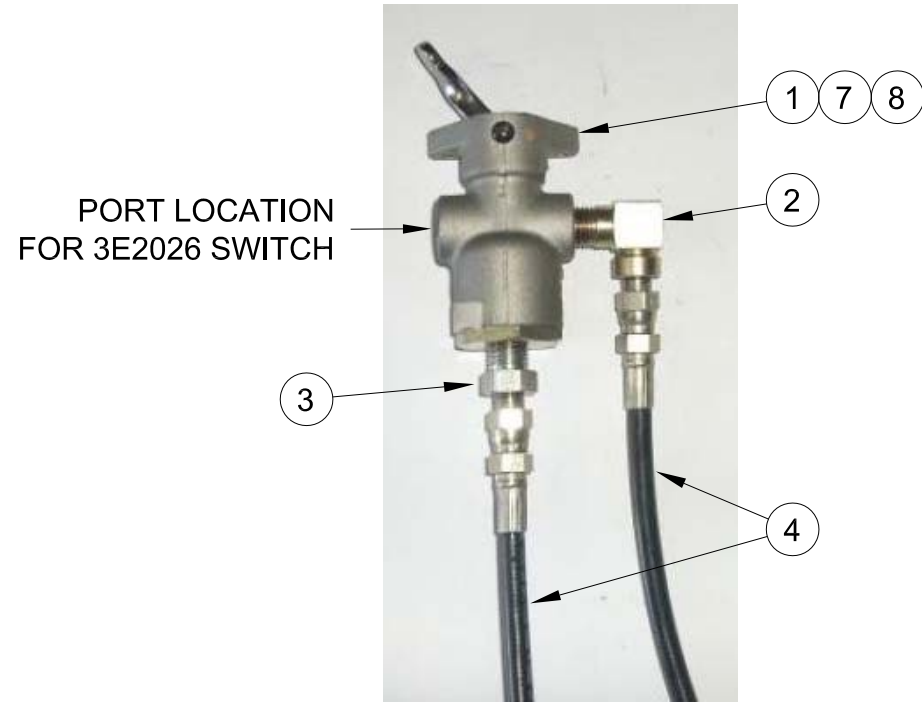
ITEM	DESCRIPTION	LENGTH	PART NO	QTY
1	Switch		ADE000735	1
2	Hyd Fitting Adaptor		ADE000754	1
3	Hyd Fitting Adaptor		ADE000750	2
4	Hose Assy		ADE000755	2
5	Bolt		ADE003365	6
6	Stair Control Console - Cab		ADE005632	1
7	Bolt		ADE000777	2
8	Bolt		ADE003709	2



VIEW A



VIEW A



STAIR CONTROL

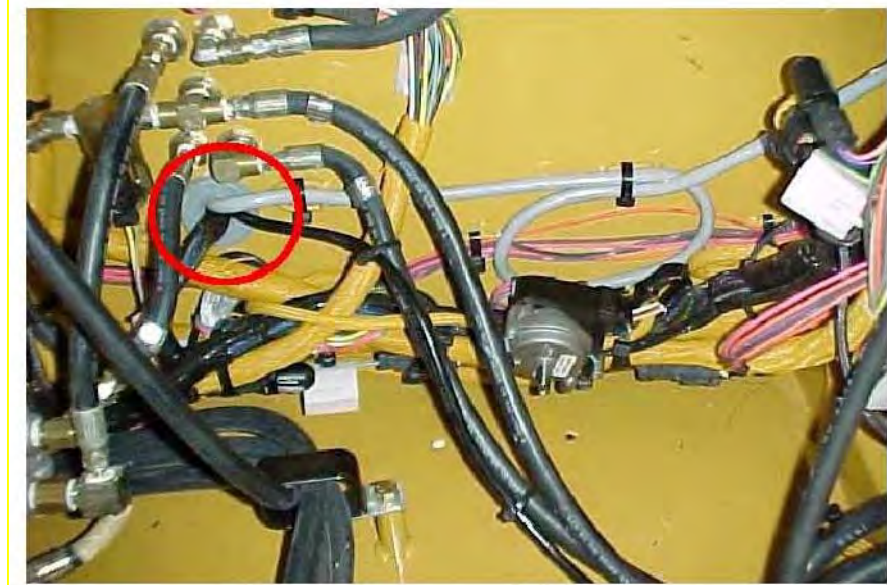
REVISION:

1. REPLACED CONTROL BOX ADE000142 WITH STAIR CONTROL CONSOLE - CAB ADE005632.
2. REMOVED NPT PLUG REPLACED WITH NOTE TO STAIR CONTROL DETAIL.

AUSTRALIAN DIVERSIFIED ENGINEERING		STAIR CONTROL SWITCH FRONT ACCESS SYSTEM CAT 776D & 777D	PAGE 1 of 1
SITE UNIT No.:		DRAWING: ADE003706	REF: -



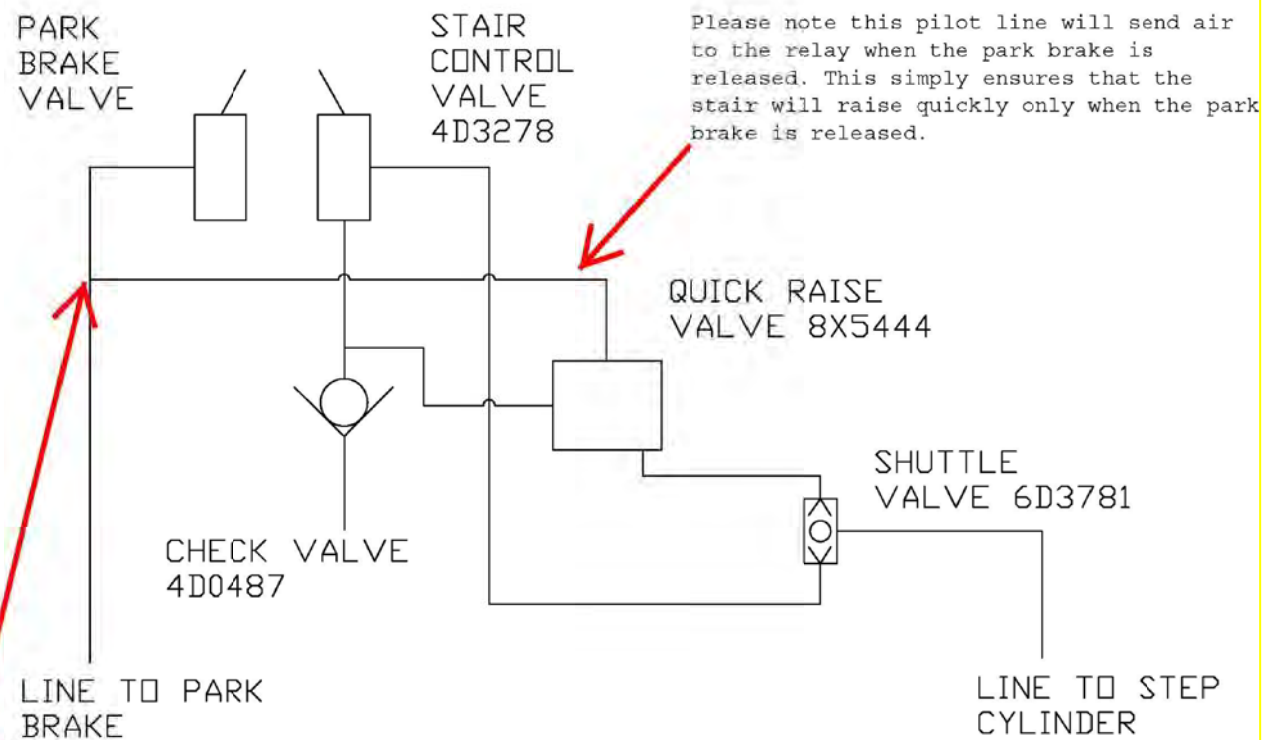
Locate new stair control console on existing CAT console. Later models bolt on using existing cover bolts. Earlier models may require some holes to be drilled.



Run stair control hoses from console into back of cab.

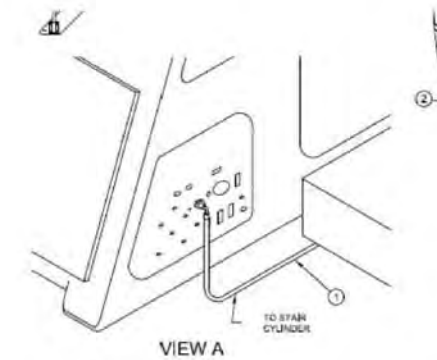


Locate stair control valves in a convenient location in the rear of the cab on the RHS. Please note we provide weld bosses, but control can be bolted to any convenient structure, the cab changes between different trucks and models



Please note this pilot line will send air to the relay when the park brake is released. This simply ensures that the stair will raise quickly only when the park brake is released.

Needs to be "T" into the park brake actuation line at the side of the cab.



Drill hole in side of cab for hose bulk head and wiring harness. Run hose and harness to bumper level.

Notes :
1.

AUSTRALIAN DIVERSIFIED
ENGINEERING

FRONT ACCESS
CONTROL INSTALLATION

PAGE
1 of 2

SITE UNIT No.:

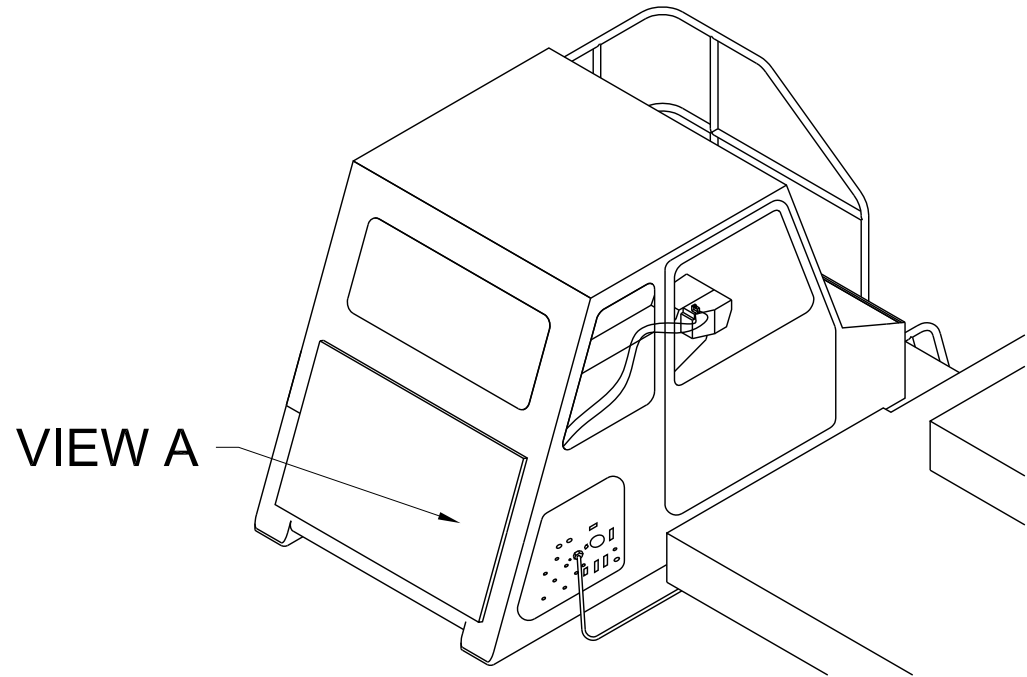
-

DRAWING:

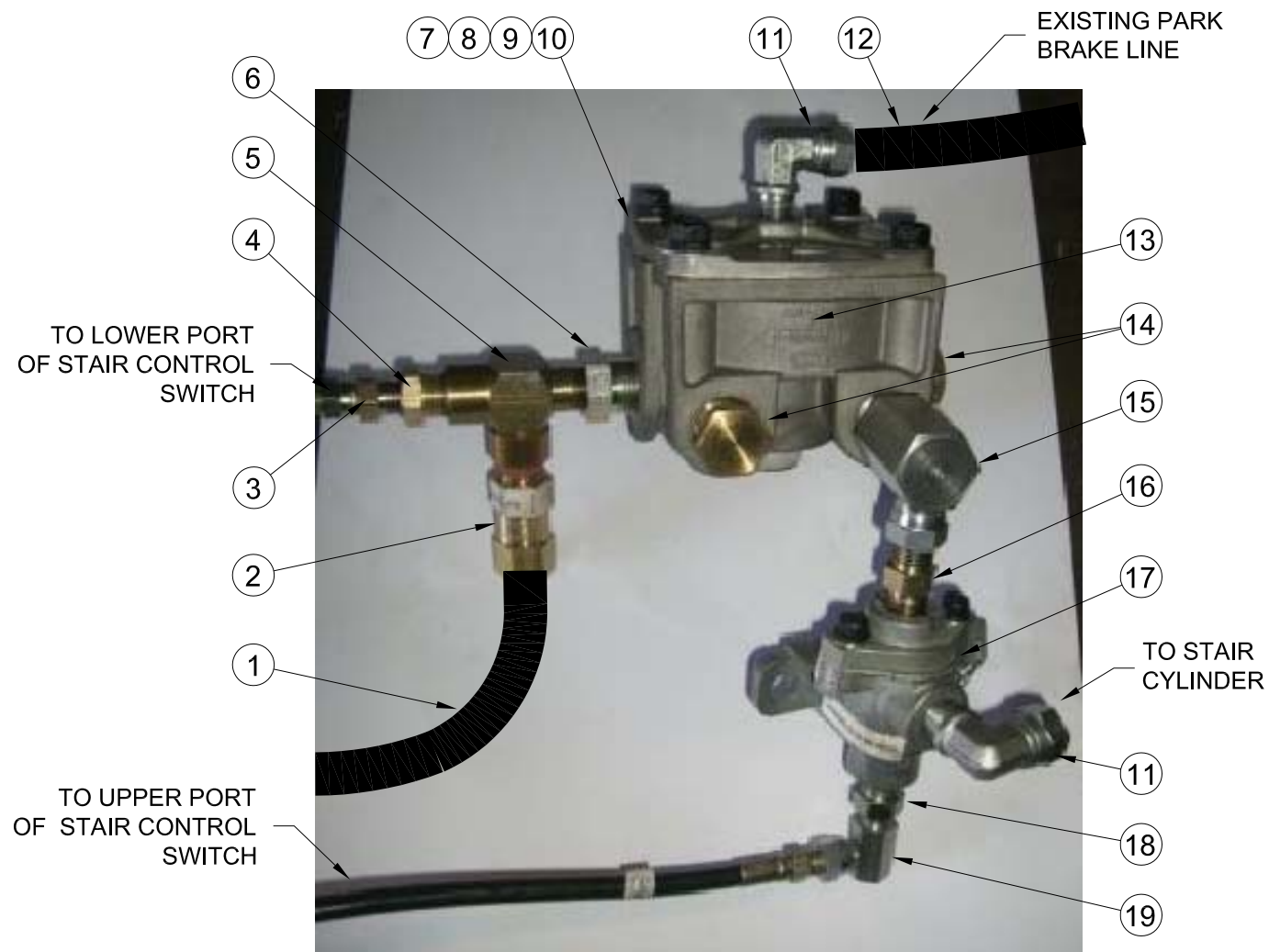
ADE003563

REF:

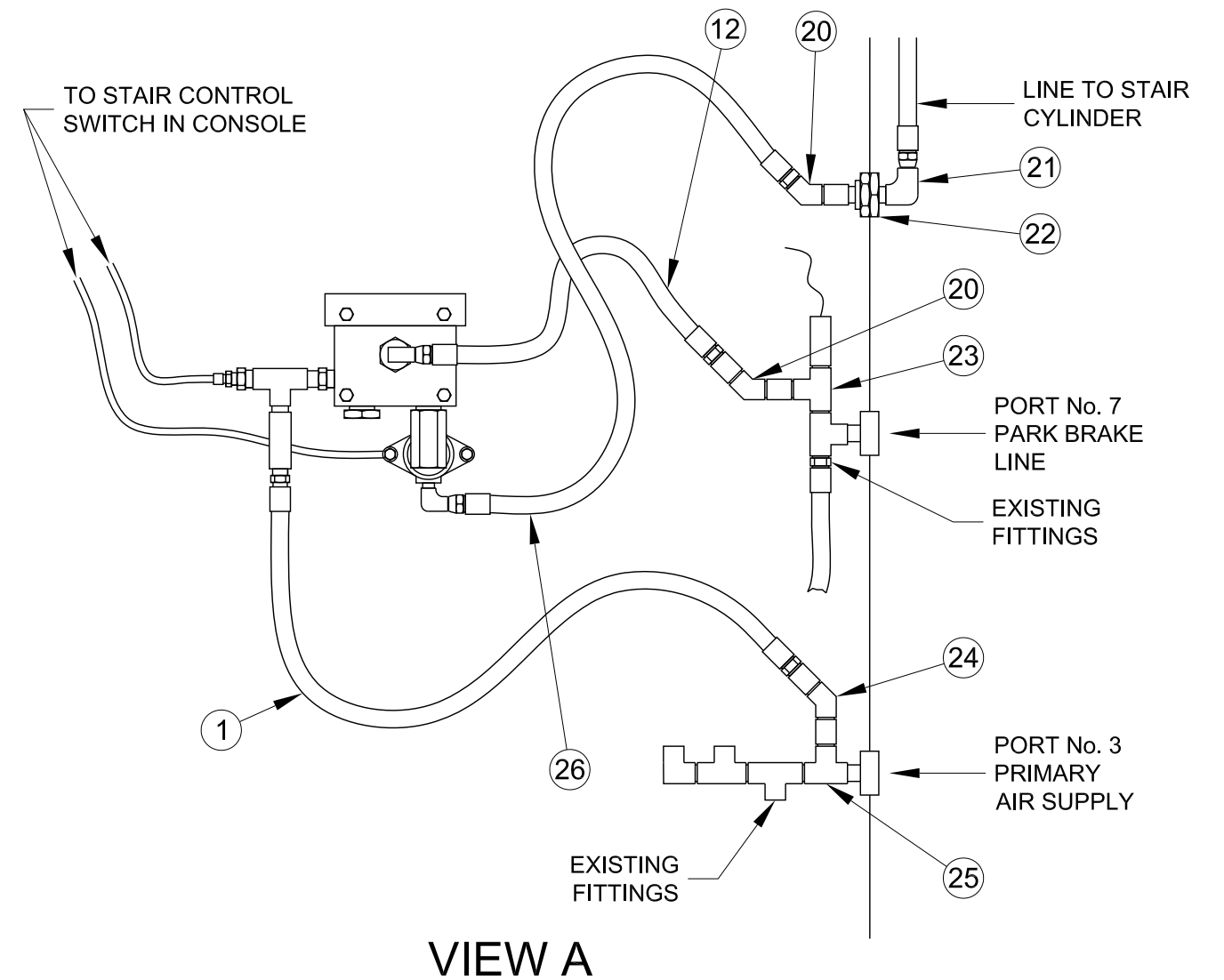
-



ITEM	DESCRIPTION	LENGTH	PART NO	QTY
1	Hose Assy		ADE003353	1
2	Check Valve		ADE000736	1
3	Hyd Fitting Adaptor		ADE000737	1
4	Hyd Fitting Adaptor		ADE000738	1
5	Hyd Fitting Adaptor		ADE000739	1
6	Hyd Fitting Adaptor		ADE000741	1
7	Bolt		ADE000303	2
8	Washer		ADE000315	3
9	Nut		ADE000313	1
10	Mount Bracket		ADE000747	1
11	Hyd Fitting Adaptor		ADE000745	2
12	Hose Assy		ADE003351	1
13	Relay		ADE000742	1
14	Hyd Fitting Adaptor		ADE000740	2
15	Hyd Fitting Adaptor		ADE000748	1
16	Hyd Fitting Adaptor		ADE000743	1
17	Valve		ADE000749	1
18	Hyd Fitting Adaptor		ADE000750	1
19	Hyd Fitting Adaptor		ADE000751	1
20	Hyd Fitting Adaptor		ADE000757	2
21	Hyd Fitting Adaptor		ADE000756	2
22	Hyd Fitting Adaptor		ADE000753	1
23	Hyd Fitting Adaptor		ADE000759	1
24	Hyd Fitting Adaptor		ADE000758	1
25	Hyd Fitting Adaptor		ADE000760	1
26	Hose Assy		ADE003347	1



STAIR CONTROL RELAY

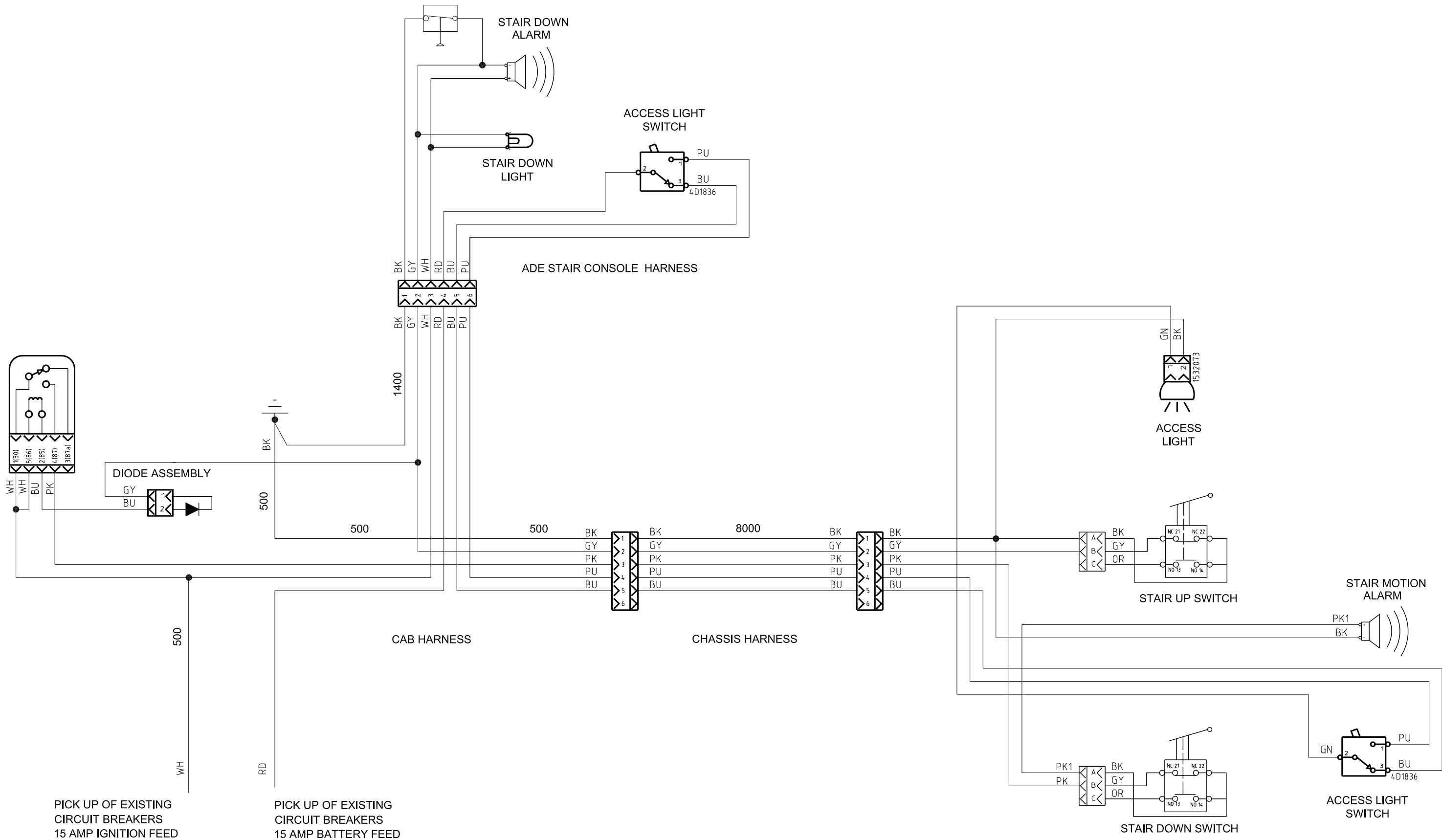


VIEW A

AUSTRALIAN DIVERSIFIED ENGINEERING		STAIR CONTROL RELAY FRONT ACCESS SYSTEM	PAGE 1 of 1
SITE UNIT No.:	-	DRAWING:	ADE003563
		REF:	-

4 Appendix

4.1 Electrical Schematic



PICK UP OF EXISTING
CIRCUIT BREAKERS
15 AMP IGNITION FEED

PICK UP OF EXISTING
CIRCUIT BREAKERS
15 AMP BATTERY FEED

**AUSTRALIAN DIVERSIFIED
ENGINEERING**

**STAIR CONTROL SCHEMATIC
FRONT ACCESS SYSTEM**

PAGE
1 of 1

SITE UNIT No.:

-

DRAWING:

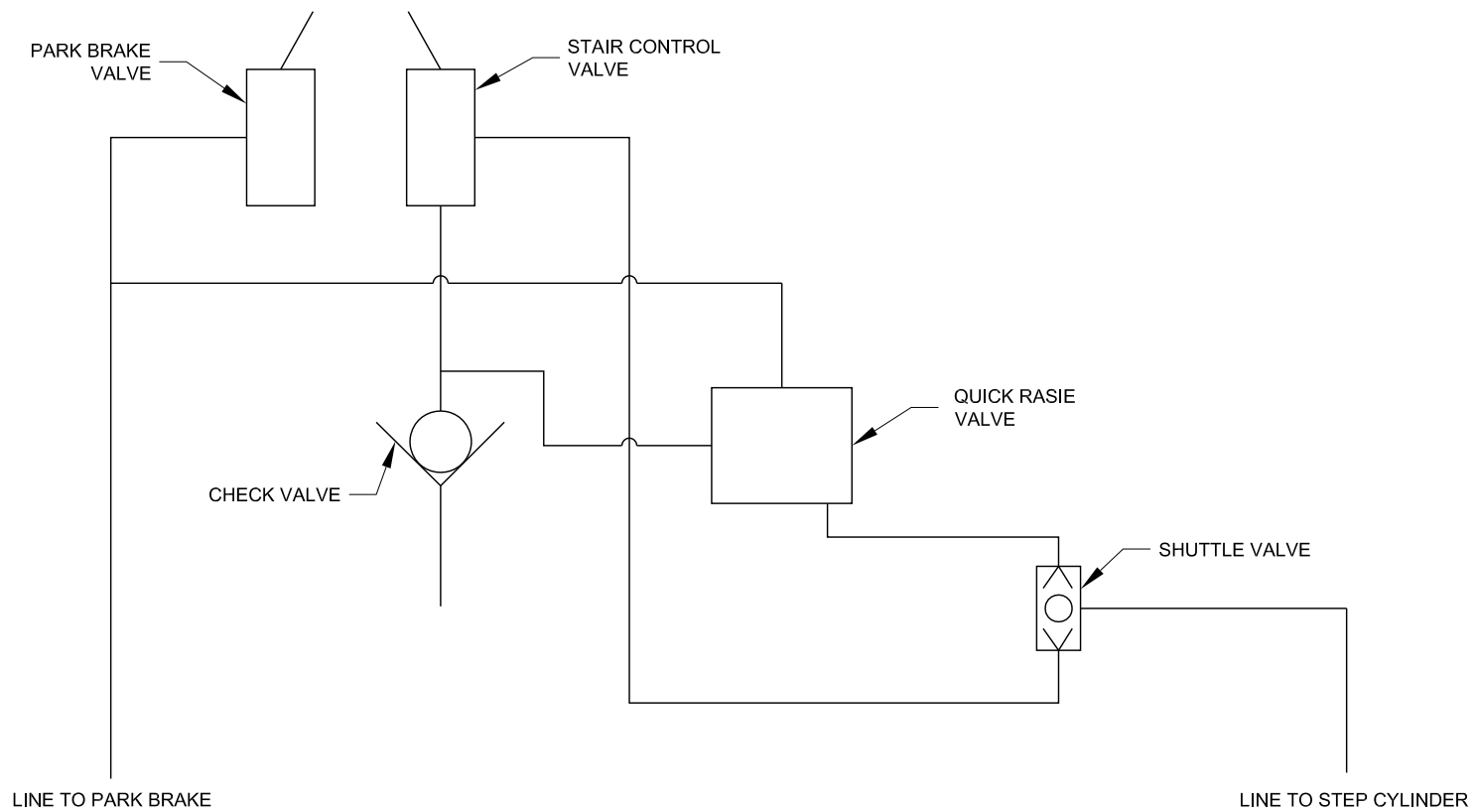
ADE005776

REF:

-

HARNES FROM RADIATOR TO STAIR

4.2 Stair Control Schematic



AUSTRALIAN DIVERSIFIED ENGINEERING		STAIR CONTROL SCHEMATIC FRONT ACCESS SYSTEM	PAGE 1 of 1
SITE UNIT No.: -	DRAWING: ADE003565	REF: -	