

## Part ii:

# Parts Manual

---

## Komatsu 630E Electric Drive Truck

---

This manual applies to the following serial no.s:

GF31869AFE42-G

CF31684AFE42-B

CF31687AFE42-B

CF31686AFE42-B

CF31868AFE42-G





---

# 1 Overview

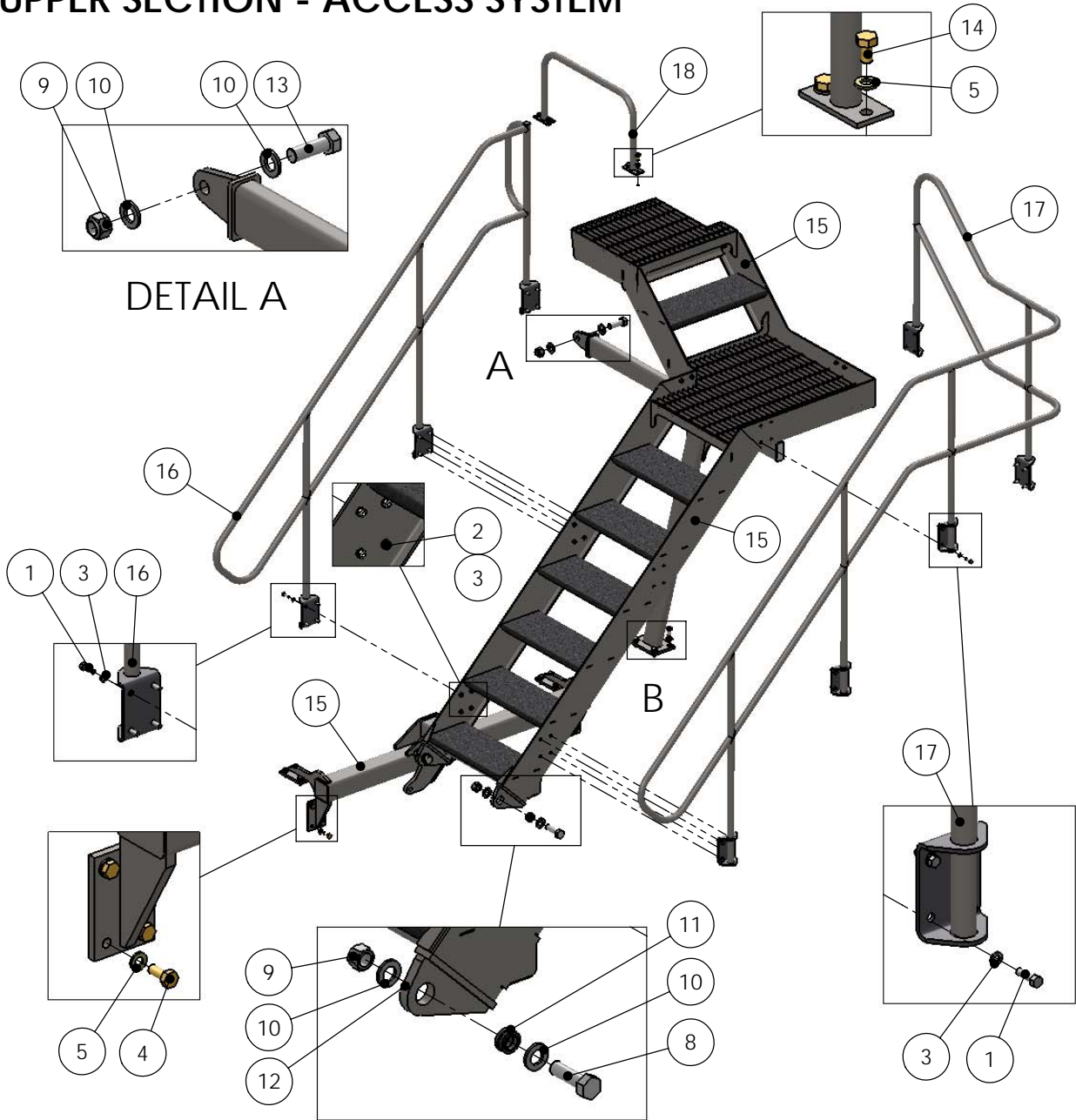
The Parts Manual is a compilation of replacement parts for the modifications as fitted by Australian Diversified . Consult Australian Diversified Engineering if replacement manuals are required.

---

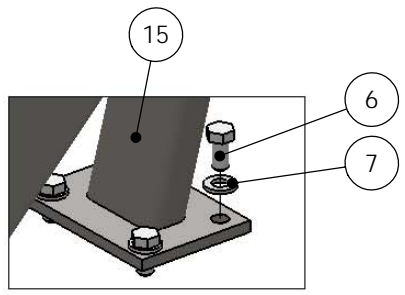
## 2 Front Access System

### 2.1 Upper Section

# UPPER SECTION - ACCESS SYSTEM



ITEM NO.	PART NUMBER	NAME	Parts/QTY.
1	ADE000304	Bolt	32
2	ADE000314	Nut	32
3	ADE000315	Washer	64
4	ADE000319	Bolt	16
5	ADE000330	Washer	20
6	ADE000334	Bolt	4
7	ADE000345	Washer	4
8	ADE000372	Bolt	2
9	ADE000373	Nut	3
10	ADE000374	Washer	6
11	ADE000733	Bearing	2
12	ADE000898	Grease Nipple	2
13	ADE001403	Bolt	1
14	ADE001404	Bolt	4
15	ADE002418	Upper Access	1
16	ADE002422	L/H Upper Handrail	1
17	ADE002423	R/H Upper Handrail	1
18	ADE002424	Upper Radiator Handrail	1



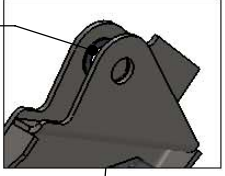
DETAIL B

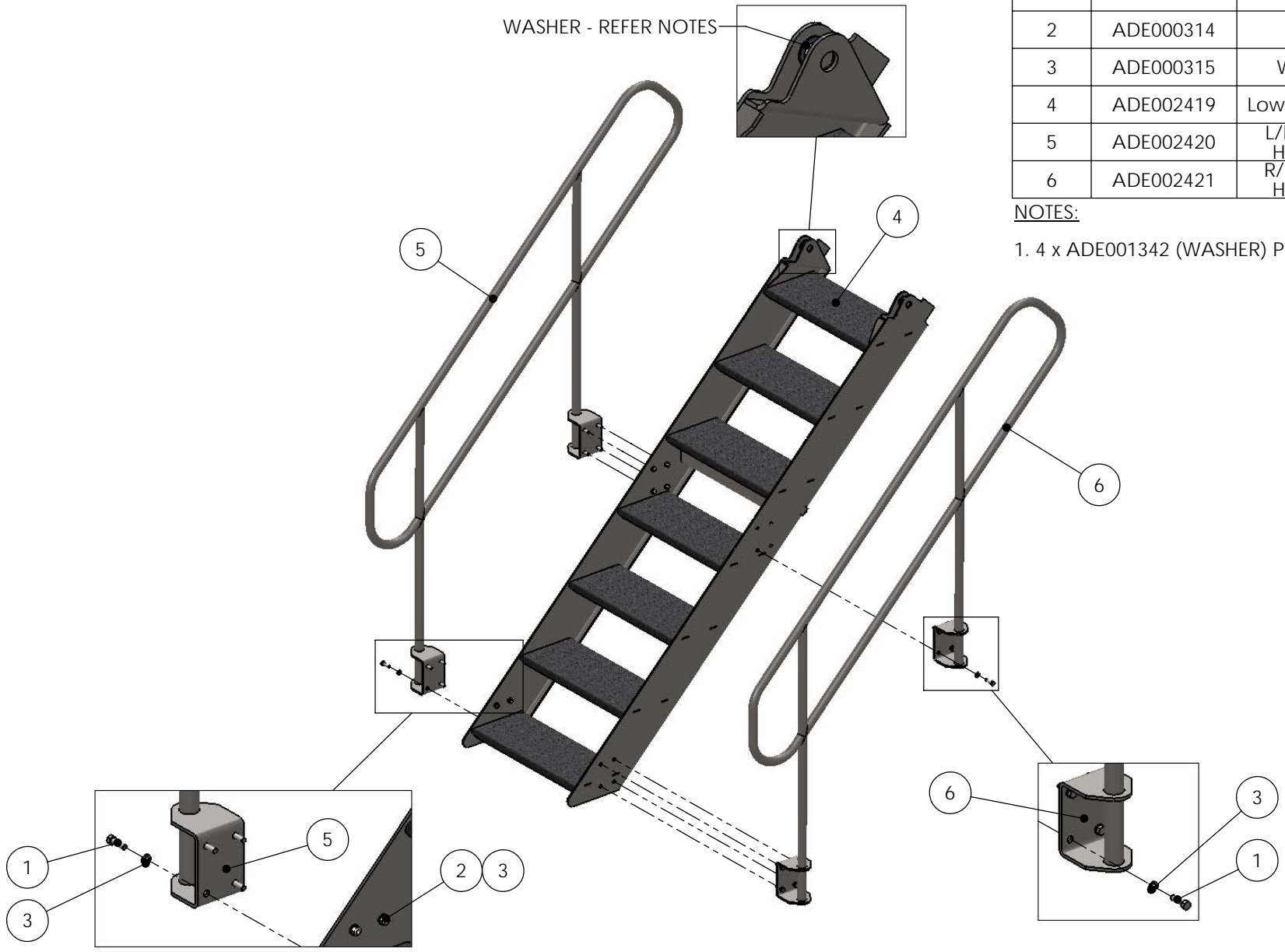
---

## 2.2 Lower Section

# LOWER SECTION - ACCESS SYSTEM

ITEM NO.	PART NUMBER	NAME	Parts - Lower Stair/ QTY.
1	ADE000304	Bolt	16
2	ADE000314	Nut	16
3	ADE000315	Washer	32
4	ADE002419	Lower Access	1
5	ADE002420	L/H Lower Handrail	1
6	ADE002421	R/H Lower Handrail	1

WASHER - REFER NOTES 



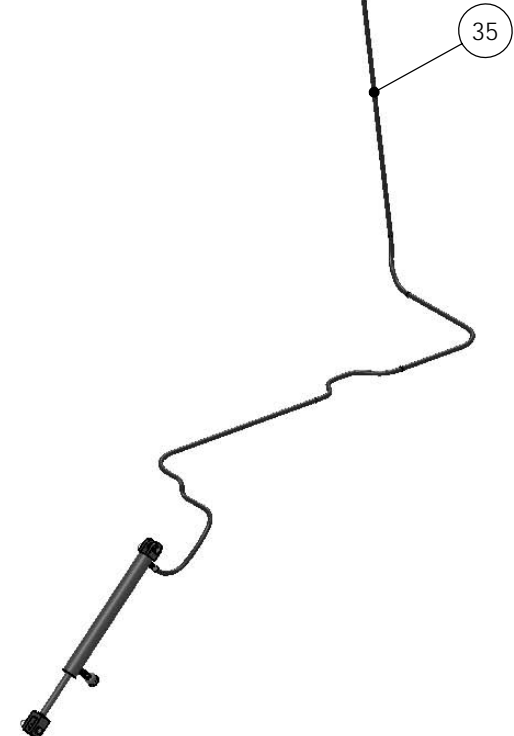
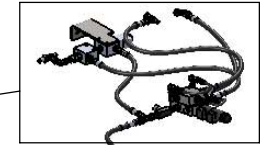
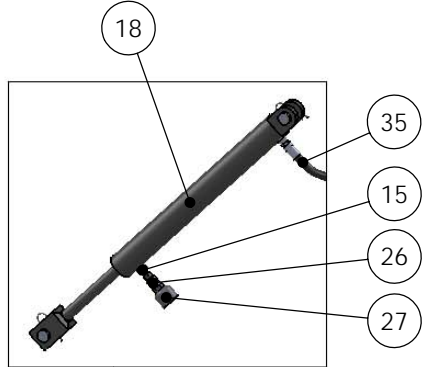
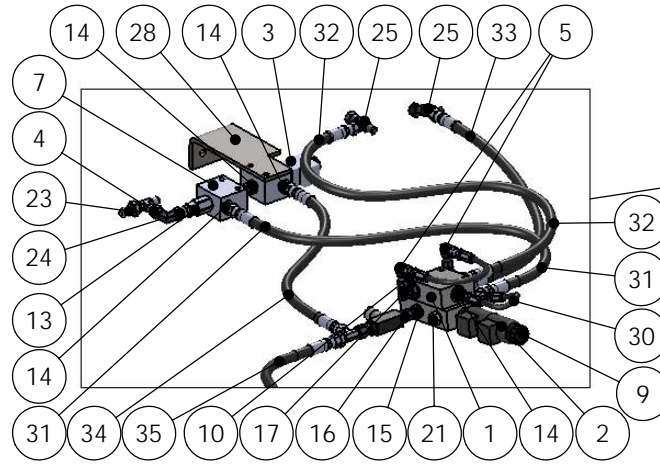
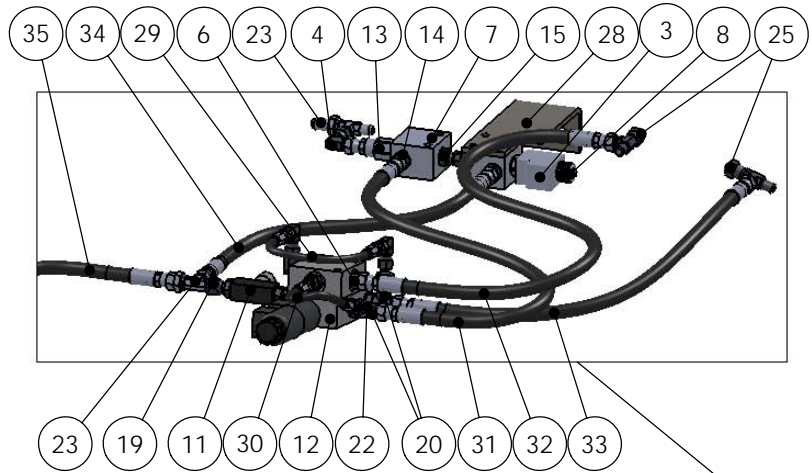
**NOTES:**

1. 4 x ADE001342 (WASHER) PER LOWER SECTION

---

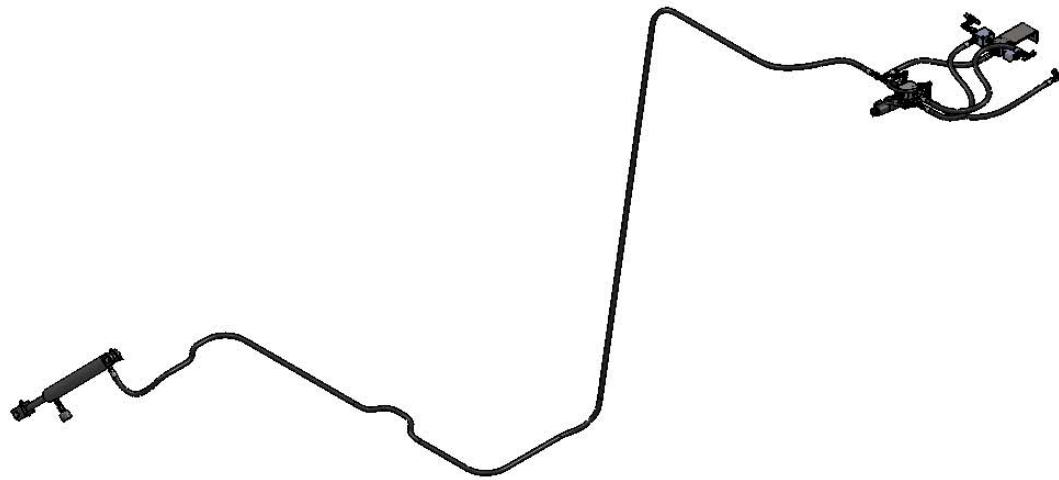
## 2.3 Hydraulics – Components

# HYDRAULICS - ACCESS SYSTEM



ITEM NO.	PART NUMBER	NAME	Parts - Hydraulic/QTY.	ITEM NO.	PART NUMBER	NAME	Parts - Hydraulic/QTY.
30	ADEHS00434	Hose Assy	1	1	ADE000098	Hyd Component	1
31	ADEHS00435	Hose Assy	1	2	ADE000099	Hyd Component	2
32	ADEHS00436	Hose Assy	1	3	ADE000380	Hyd Component	1
33	ADEHS00437	Hose Assy	1	4	ADE000429	Hyd Fitting	1
34	ADEHS00438	Hose Assy	1	5	ADE000443	Hyd Fitting	2
35	ADEHS00439	Hose Assy	1	6	ADE000521	Hyd Fitting	1

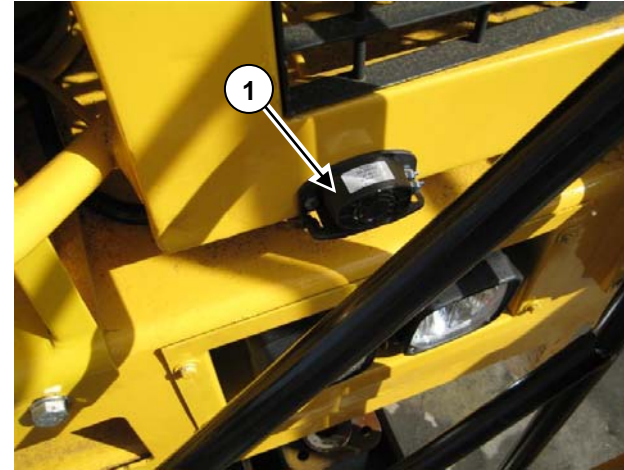
## HYDRAULICS - ACCESS SYSTEM



7	ADE000914	Hyd Component	2
8	ADE000915	Hyd Component	1
9	ADE000916	Hyd Component	1
10	ADE000917	Hyd Component	1
11	ADE000918	Hyd Component	1
12	ADE000919	Hyd Component	1
13	ADE000920	Hyd Component	1
14	ADE000931	Hyd Fitting	4
15	ADE000932	Hyd Fitting	3
16	ADE000942	Hyd Fitting	1
17	ADE001309	Hyd Fitting	1
18	ADE001413	Hyd Cylinder	1
19	ADE001471	Hyd Fitting	1
20	ADE001472	Hyd Fitting	2
21	ADE001473	Hyd Fitting	1
22	ADE001474	Hyd Fitting	2
23	ADE001475	Hyd Fitting	2
24	ADE001479	Hyd Fitting	1
25	ADE001480	Hyd Fitting	2
26	ADE002441	Hyd Fitting	1
27	ADE002442	Breather	1
28	ADE002443	Plate	1
29	ADEHS00433	Hose Assy	1

## 2.4 Safety

ITEM NO.	PART NUMBER	NAME	QTY
1	ADE001320	Buzzer	1
2	ADE002395	Label	1
3	ADE002397	Label	1
4	ADE002447	Mirror	1
5	ADE002448	Label	1
6	ADE001486	Label	1
7	ADE002396	Label	1



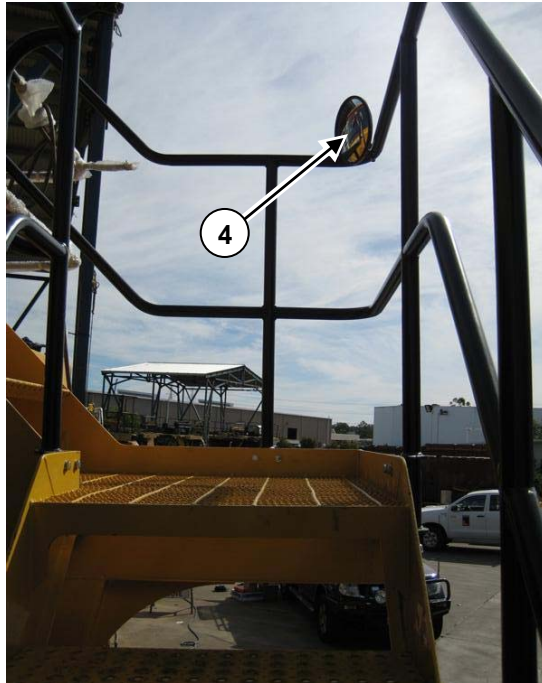
(1) Located on the front bumper



(2) Located on the lower stair for the front access system



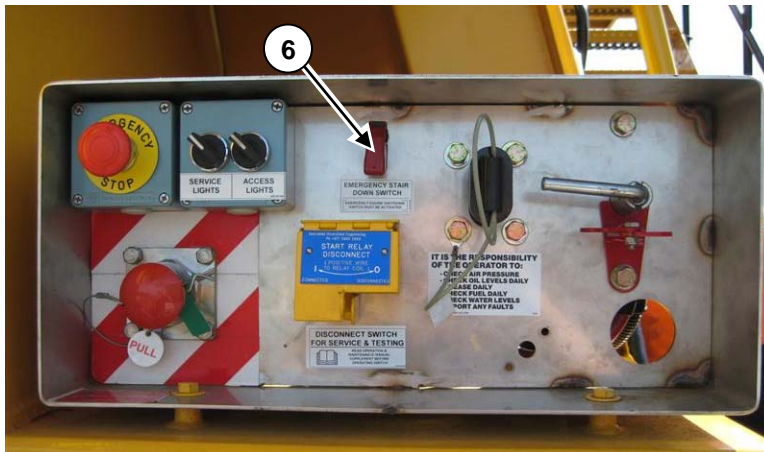
(3) Located on the overhead console in the cab



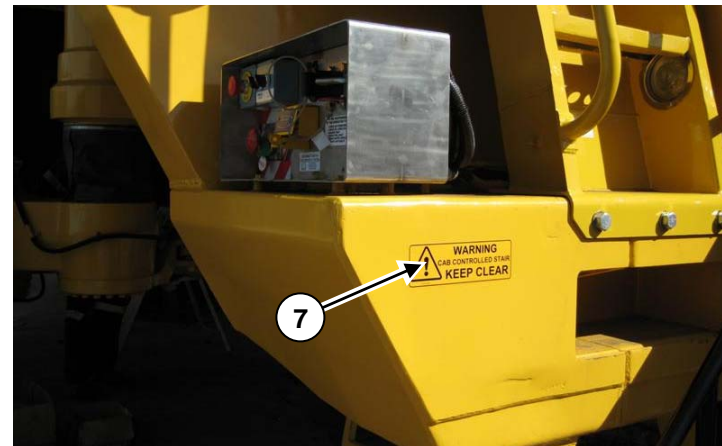
(3) Located the handrail in front of the cab



(4) Located on the cab console adjacent to the stair control



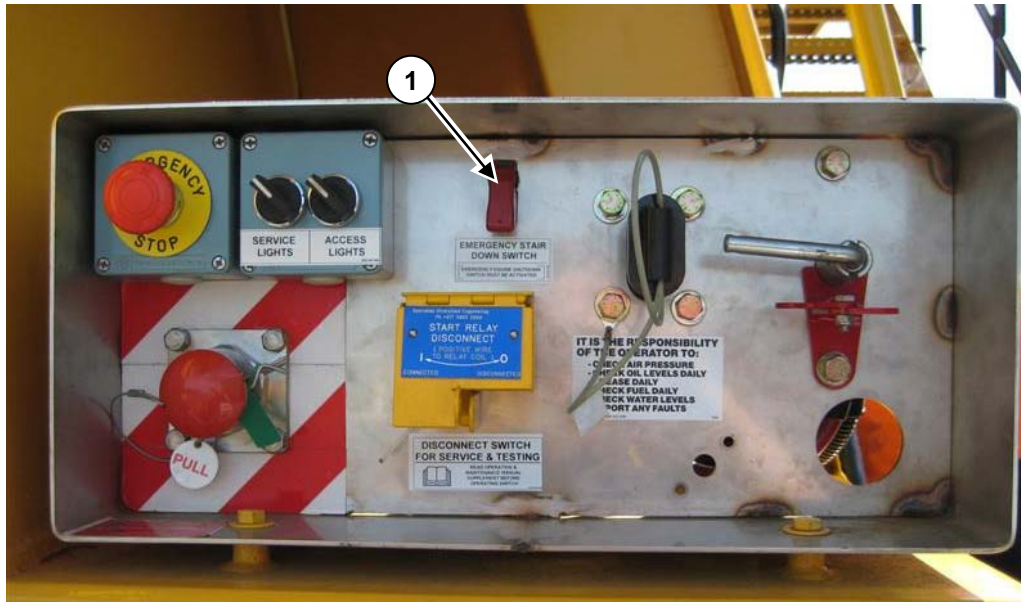
(5) Located on the ancillary compartment



(6) Located on the right side of the front bumper

## 2.5 Electrical - Components

ITEM NO.	PART NUMBER	NAME	QTY
1	ADE002446	Switch	1
2	ADE002445	Control Panel	1



(1) Switch located inside the ancillary compartment



(2) Stair controller on the cab dash

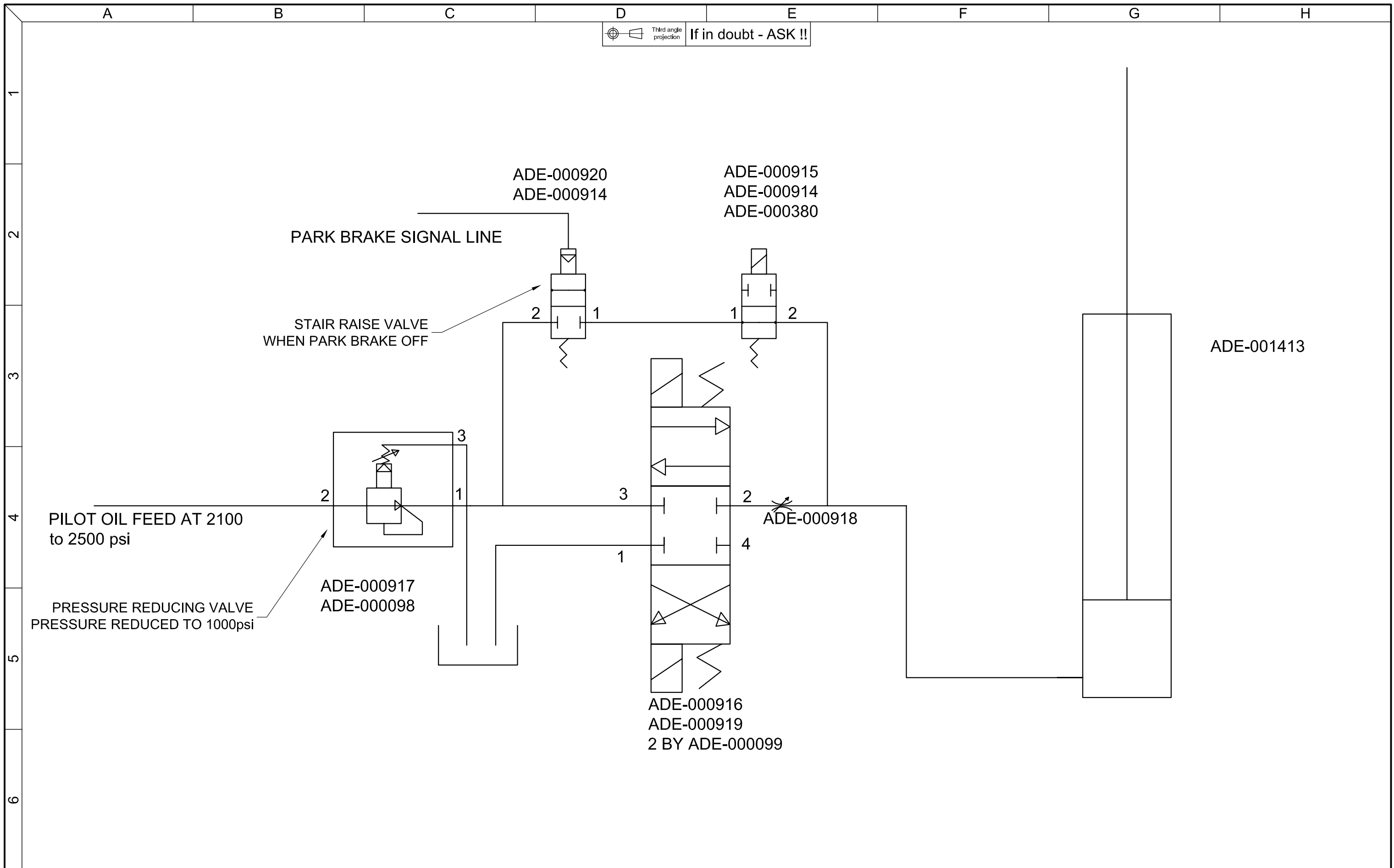
---

### 3 Appendix

---

### 3.1 Hydraulic - Schematic

---



Third angle projection If in doubt - ASK !!

The furnishing of this drawing does not convey any manufacturing rights. It is to be considered a confidential document and must not be reproduced without consent of the owner.

Revisions	Rev	Grid	Date	Description
	A	-	-	-
	B	-	-	-
	C	-	-	-
	D	-	-	-
	E	-	-	-
	F	-	-	-



Client	-
Project	-
Drawn	CWG
Checked	DK
Date	Approved

Description		630E KOMATSU FOLDING ACCESS HYDRAULIC SCHEMATIC	
Scale	N/A	Drawing No.	1884Y
Rev	-		A3

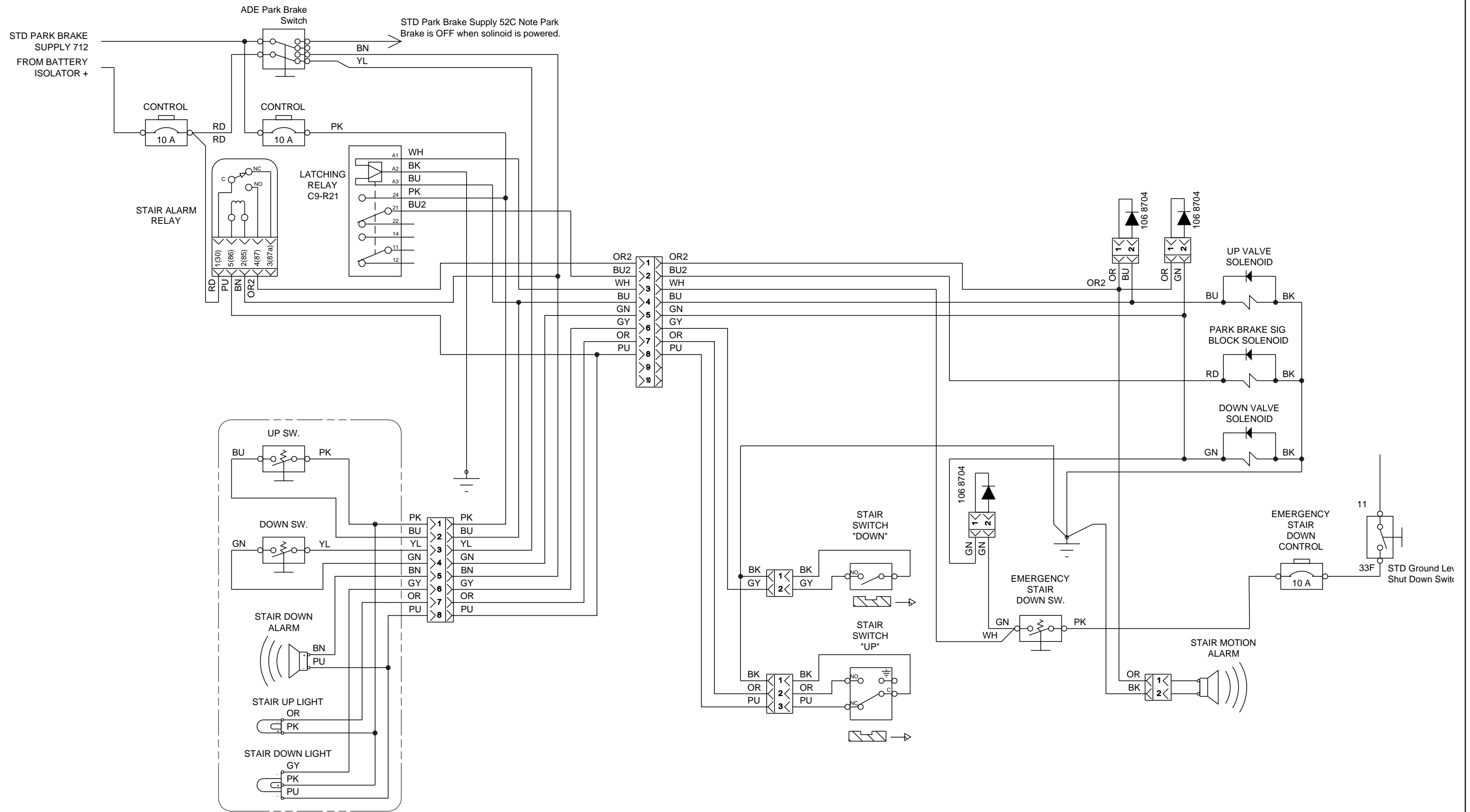
---

## 3.2 Electrical - Schematic

---

Third angle projection If in doubt - ASK !!

1  
2  
3  
4  
5  
6



The furnishing of this drawing does not convey any manufacturing rights. It is to be considered a confidential document and must not be reproduced without consent of the owner.

Revisions	Rev	Grid	Date	Description
	A	-	30/04/08	Changed access light switching
	B	-	6/05/08	Changed Emergency Stair Down Power Supply
	C	-	-	-
	D	-	-	-
	E	-	-	-
	F	-	-	-



Client	-
Project	-
Drawn	CWG
Checked	DK
Date	Approved

Description		630E KOMATSU FOLDING ACCESS ELECTRICAL SCHEMATIC	
Scale	N/A	Drawing No.	1884Z
Rev	B	AC	